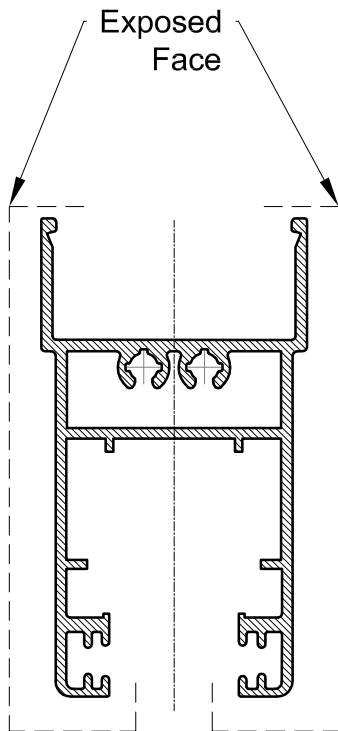
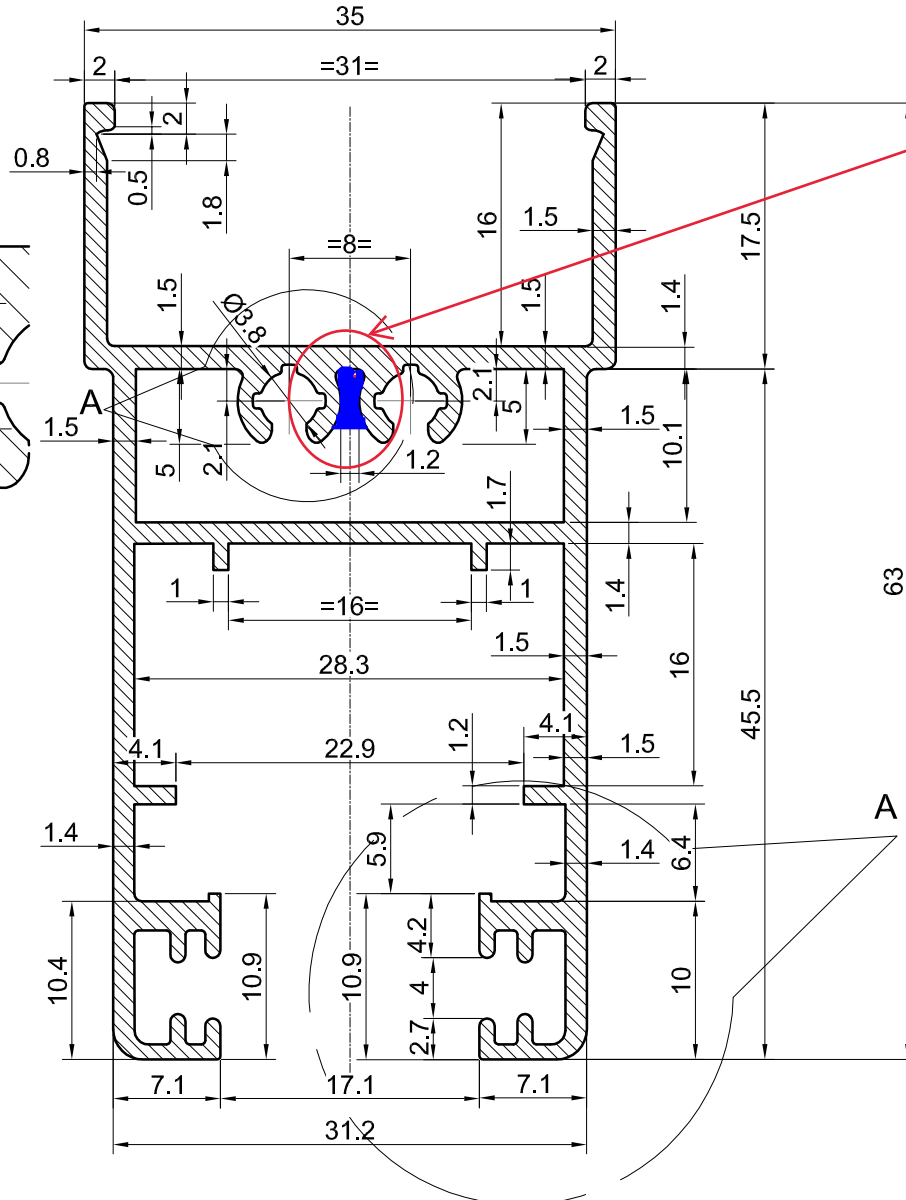


Detail B
(Scale 5:1)



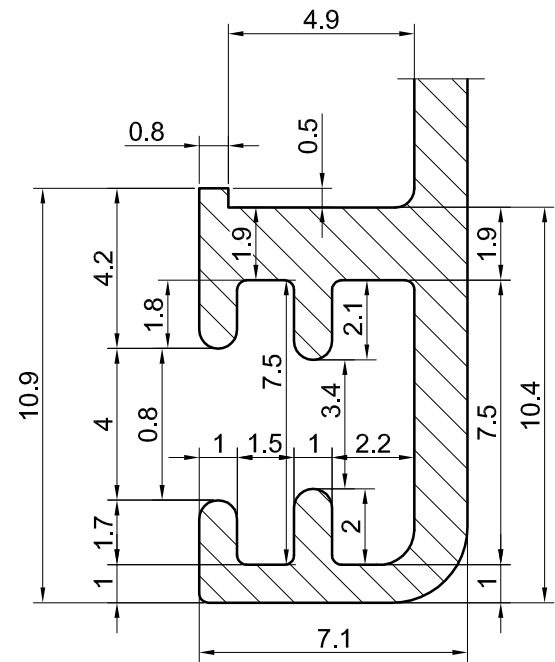
Scale 1:1



Scale 2:1

W - 0.980 Kg/Mtr

THIS GAP WILL FILLED.



Detail A
(Scale 5:1)

- Special Feature:-
1. Anodizable.
 2. No Machining
 3. To Bend- No
 4. Alloy & Temper - 6063 T6

Cut Length :- To be Finalized

Material.-	—	Qty-	—	Extrusion Aluminium Sash Horizontal GS24					
Customer	XXXX			Project	XXX				
GSC Alusystems Private Ltd				Print:	Draft	Drg No: M33553			
Plot 41, Sector Ecotech-1, Extension-1, Greater Noida, Gautam Buddha Nagar UP, India Pin 201310				Drawn By	Date	Version	Scale	Format	Sheet
				AKS	22/11/2023	Rev.B3	1:1	A4	1/1
File: \\ax2\AX\Alusystems\ALUSYSTEM DEVELOPMENTS\Kapataru Specific\Vendor\M33553_B3.dwg									

