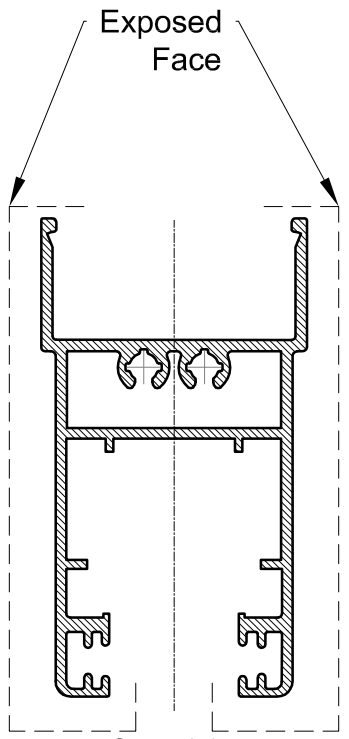
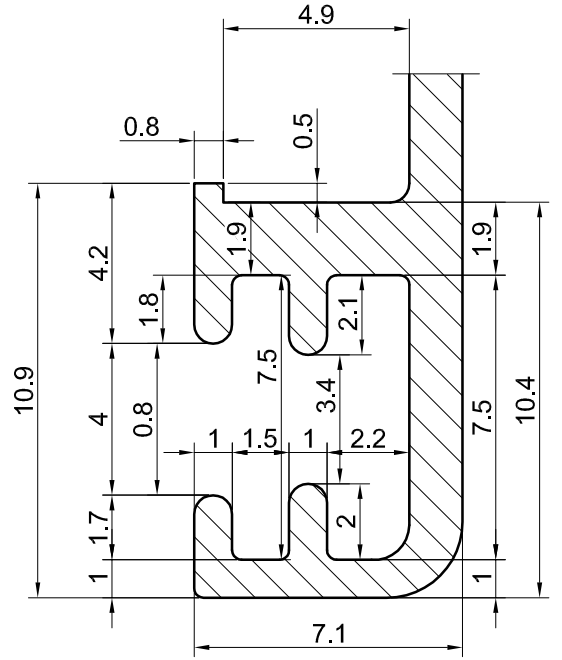


Detail B
(Scale 5:1)



Scale 1:1



Detail A
(Scale 5:1)

- Special Feature:-**
1. Anodizable.
 2. No Machining
 3. To Bend- No
 4. Alloy & Temper - 6063 T6

Cut Length :- To be Finalized

Scale 2:1

W - 0.980 Kg/Mtr

Material.-	—	Qty-	—	Extrusion Aluminium Sash Horizontal GS24					
Customer	XXXX			Project	XXX				
				Print:	Draft		Drg No:	M33553	
				Drawn By	Date	Version	Scale	Format	Sheet
				AKS	22/11/2023	Rev.B3	1:1	A4	1/1
				File: \\ax2\AX\Alusystems\ALUSYSTEM DEVELOPMENTS\Kalpataru Specific\Vendor\M33553_B3.dwg					

GSC Alusystems Private Ltd
 Plot 41, Sector Ecotech-1,
 Extension-1, Greater Noida,
 Gautam Buddha Nagar
 UP, India Pin 201310

