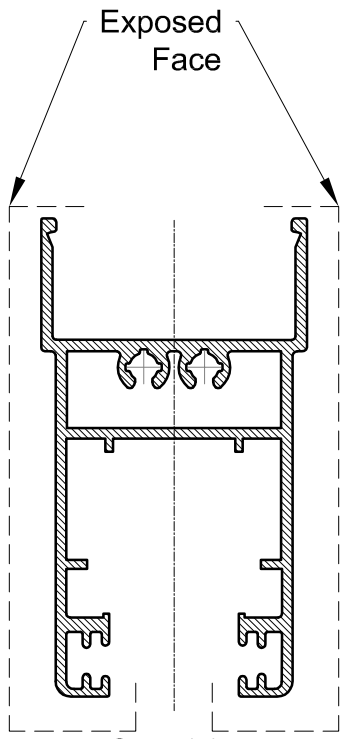
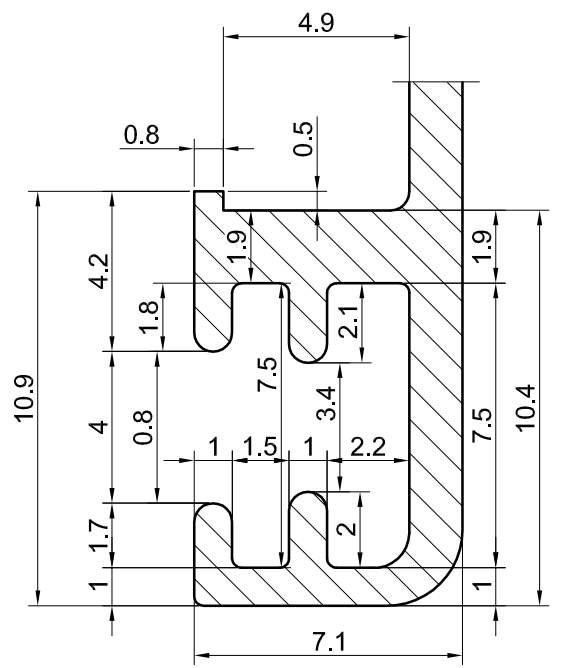


Detail B  
(Scale 5:1)



Scale 1:1



Detail A  
(Scale 5:1)

- Special Feature:-**
1. Anodizable.
  2. No Machining
  3. To Bend- No
  4. Alloy & Temper - 6063 T6

Cut Length :- To be Finalized

Scale 2:1

W - 0.980 Kg/Mtr

Material.-	—	Qty-	—	Extrusion Aluminium Sash Horizontal GS24					
Customer	XXXX			Project	XXX				
				Print:	Draft		Drg No:	M33553	
				Drawn By	Date	Version	Scale	Format	Sheet
				AKS	22/11/2023	Rev.B4	1:1	A4	1/1
				File: \\ax2\AX\Alusystems\ALUSYSTEM DEVELOPMENTS\Extrusion Drawing VENDOR CONVERSATION\2					

GSC Alusystems Private Ltd  
 Plot 41, Sector Ecotech-1,  
 Extension-1, Greater Noida,  
 Gautam Buddha Nagar  
 UP, India Pin 201310

