

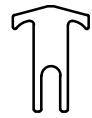
M/s.GSC ALUSYSTEMS PRIVATE LTD.

PROPOSED DRAWING

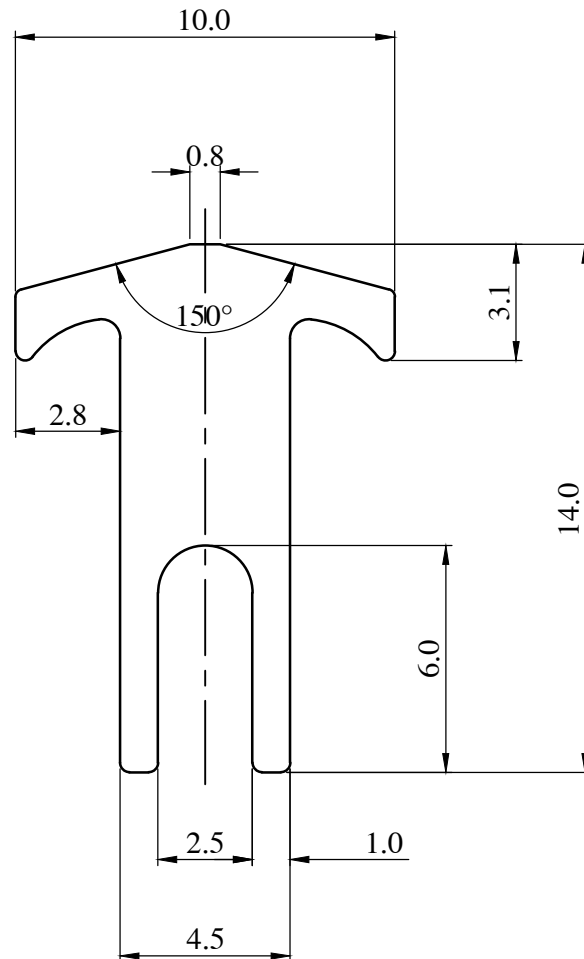
Q01090

ALLOY 6063 T6

WT.-0.151KG/M.



SCALE 1:1



SCALE 5:1