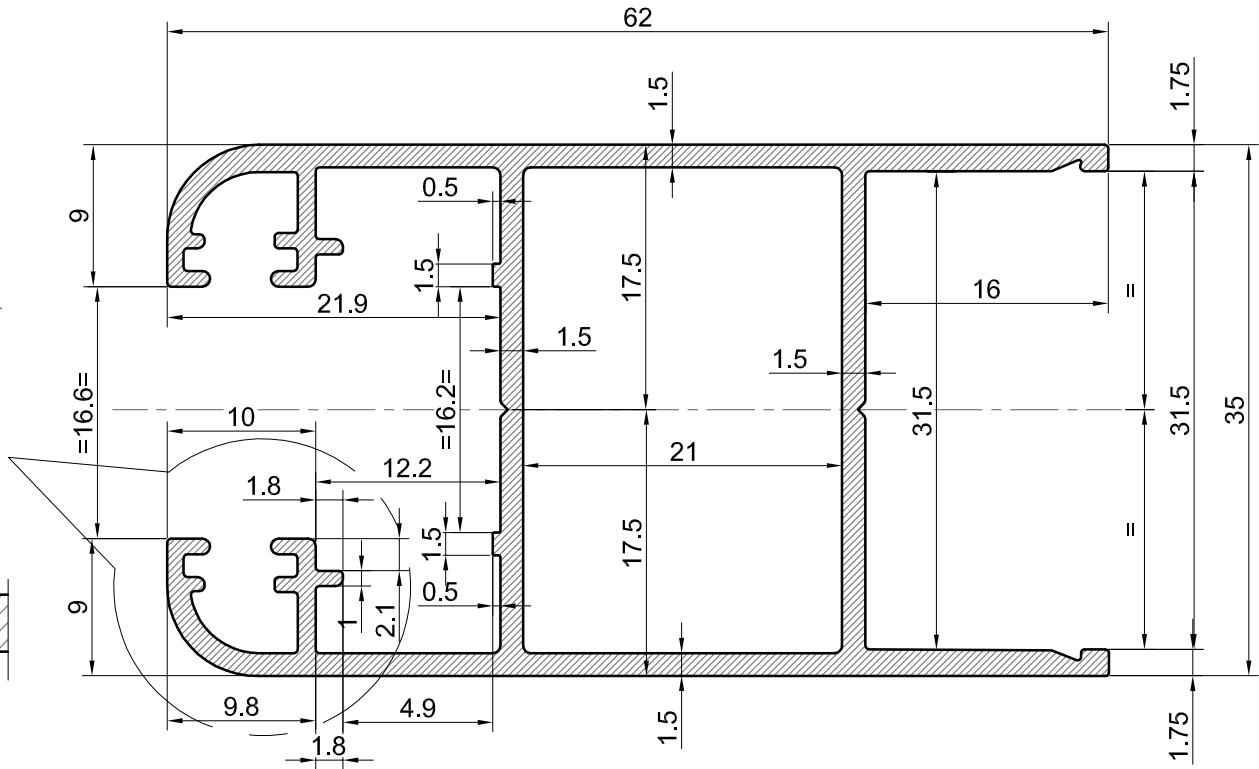
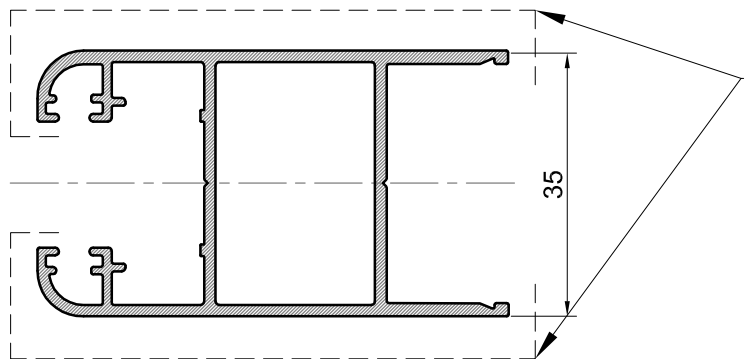


Detail A  
(Scale 5:1)



Scale 2:1




Scale 1:1

Exposed Face

- Special Feature:-**
1. Anodizable.
  2. No Machining
  3. To Bend- No
  4. Alloy & Temper - 6063 T6

W - 0.922 Kg/Mtr

Cut Length :- To be Finalized

Material.-	—	Qty-	—	Extrusion Aluminium Sash Vertical GS24					
Customer	XXXX			Project	XXX				
				Print:	Draft		Drg No:	M33554	
 <p>GSC Alusystems Private Ltd Plot 41, Sector Ecotech-1, Extension-1, Greater Noida, Gautam Buddha Nagar UP, India Pin 201310</p>				Drawn By	Date	Version	Scale	Format	Sheet
				AKS	22/11/2023	Rev.B4	1:1	A4	1/1
File: \\ax2\AX\Alusystems\ALUSYSTEM DEVELOPMENTS\Extrusion Drawing VENDOR CONVERSATION\2									