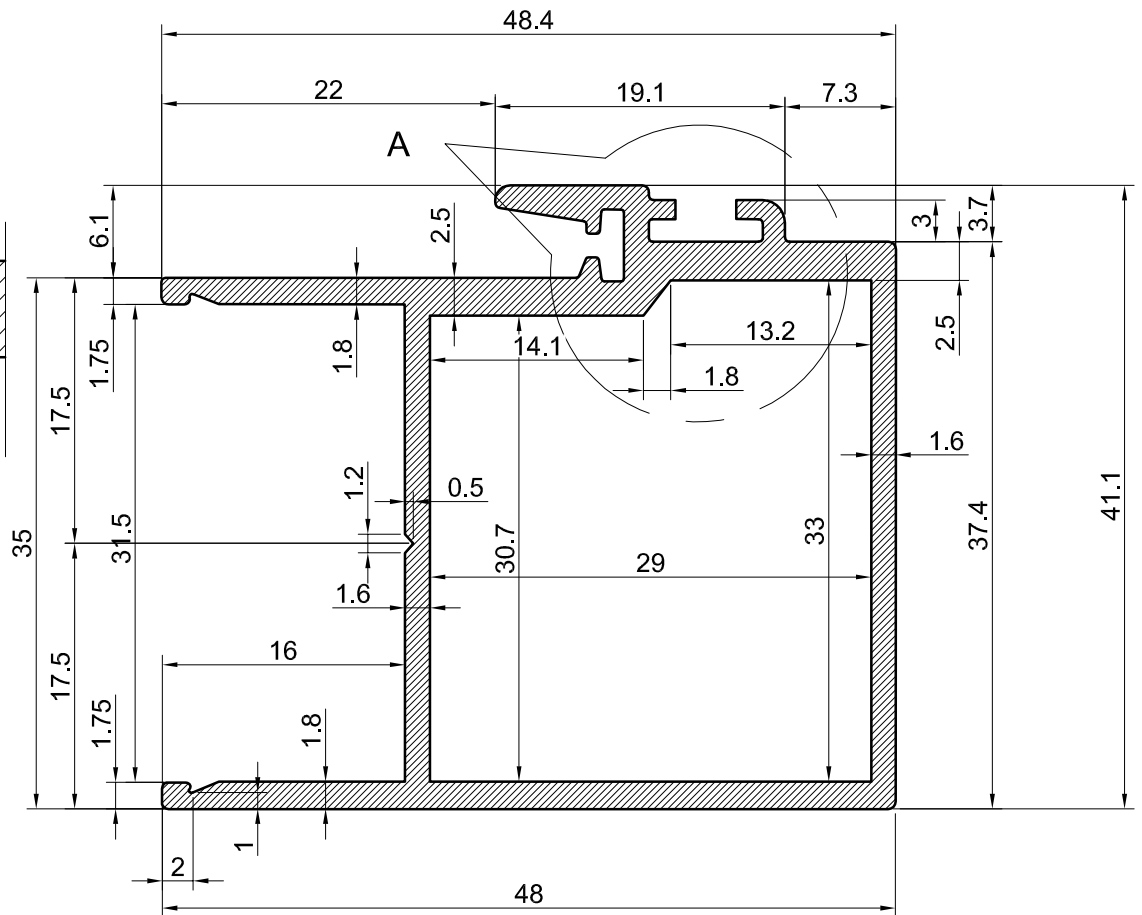


Detail A
(Scale 5:1)

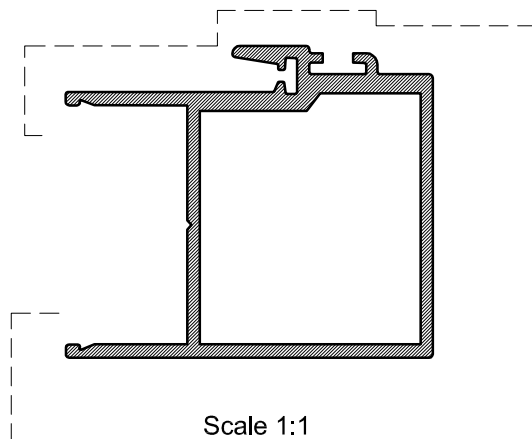


Scale 2:1

- Special Feature:-**
1. Anodizable.
 2. No Machining
 3. To Bend- No
 4. Alloy & Temper - 6063 T6

Cut Length :- To be Finalized

W - 0.910 Kg/Mtr



Scale 1:1

Exposed
Face

Material.-	---	Qty-	---	Extrusion Aluminium Interlock GS24				
Customer XXXX			Project XXX					
Print: Draft		Drg No: M33555						
Drawn By	Date	Version	Scale	Format	Sheet			
XXX	22/11/2023	Rev.B4	1:1	A4	1/1			
File: \\ax2\AX\Alusystems\ALUSYSTEM DEVELOPMENTS\Extrusion Drawing VENDOR CONVERSATION\2								

GSC Alusystems Private Ltd
 Plot 41, Sector Ecotech-1,
 Extension-1, Greater Noida,
 Gautam Buddha Nagar
 UP, India Pin 201310

