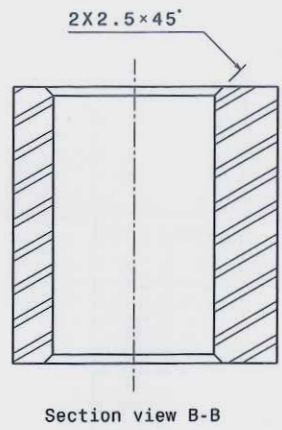
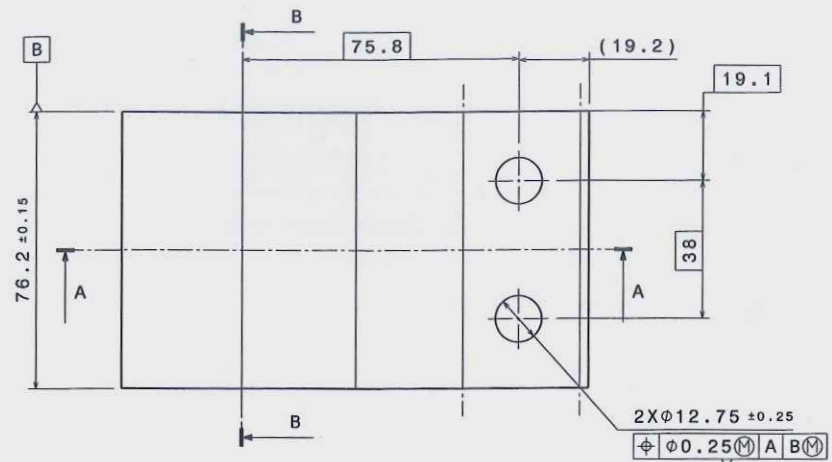
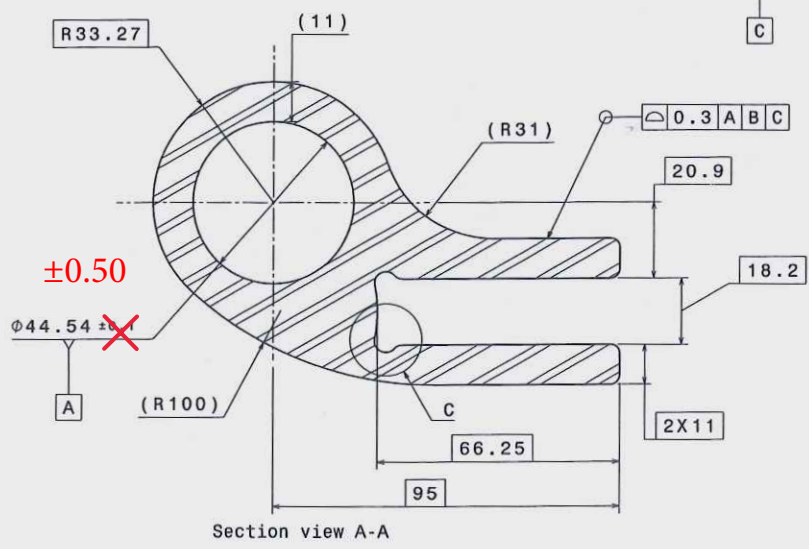


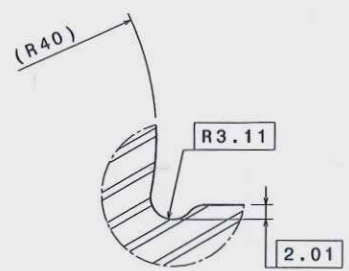
VER	PLS	DESCRIPTION	CHD
A	-	INITIAL RELEASE	



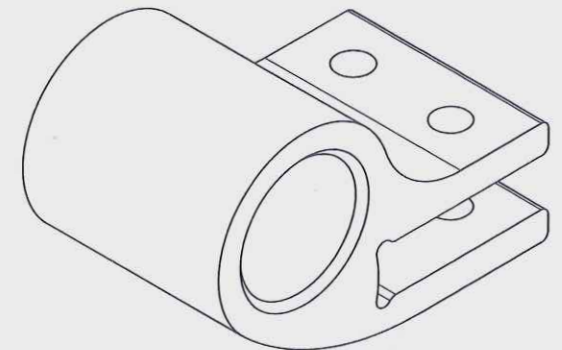
Section view B-B



Section view A-A



Detail C



Isometric view  
Scale: 1:1

Q02229-PROPOSAL DRAWING

MATERIAL: ALUMINUM 6082-T6

ALL UNDIMENSIONED FEATURES TO BE TAKEN FROM SOLID MODEL

DELIVERY CONDITION:  
SURFACES TO BE FREE OF GRAPHITE, SILICONE COMPOUNDS, MOLYBDENUM DISULPHIDE, SULFUR AND DIRT

1	A	B	C
---	---	---	---

Q02229

±0.2 EDGES acc.  
DIN ISO 13715

DRN. BY: R. CHURCH	02AUG24	PROPERTY OF ANP	 ANAND NVH PRODUCTS INC.
APD. BY: M. ROWE	02AUG24	THIS DRAWING IS THE SOLE PROPERTY OF ANP. IT CANNOT BE COPIED BY ANYONE WITHOUT WRITTEN PERMISSION OF ANP.	
CAD SYSTEM: CATIA V5	PROTECTION MARK: ISO 16015	UNIT - MM	TITLE: BRACKET
TOLERANCES: ISO 2768-mk ISO 8015 ISO 1302 (NO DIMEN) ISO 14301 (PLASTIC)	SCALE - 1:1	MODEL IS MASTER FOR ALL NON-DIMENSIONED FEATURES	PART NO.: U-R41792-D02
MASS: 0.808kg	THIRD ANGLE PROJ	PRODUCTION REFERENCE NO. XXXXX	A