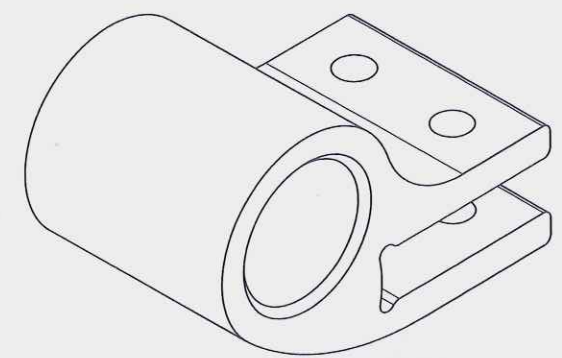
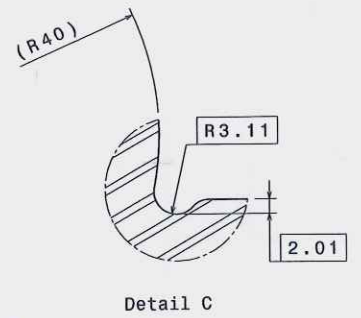
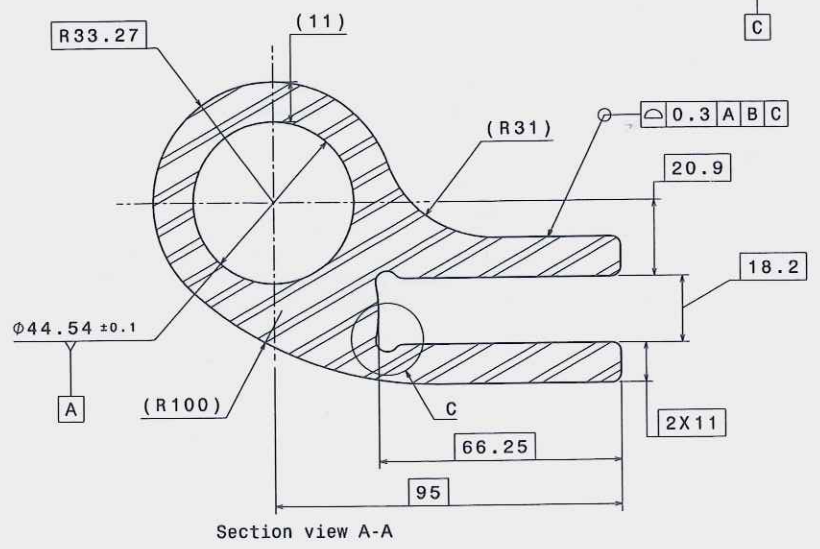
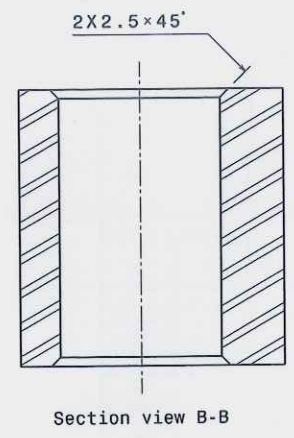
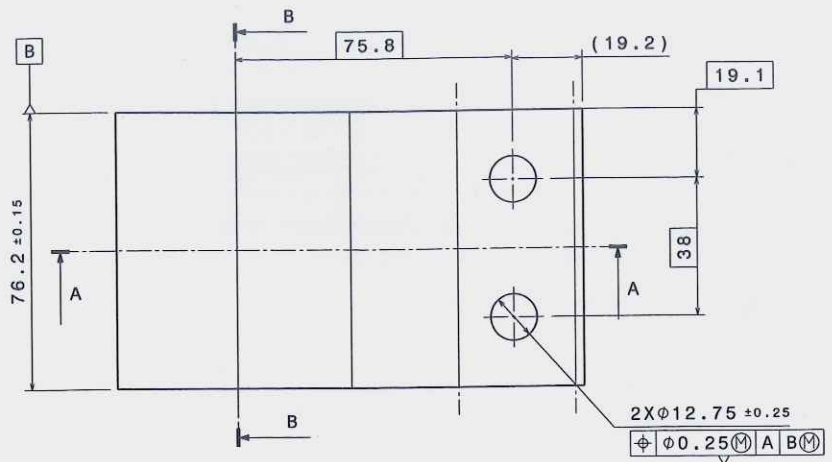


VER	PLS	DESCRIPTION	CHD
A	-	INITIAL RELEASE	




MATERIAL: ALUMINUM 6082-T6

ALL UNDIMENSIONED FEATURES TO BE TAKEN FROM SOLID MODEL

DELIVERY CONDITION:
SURFACES TO BE FREE OF GRAPHITE,
SILICONE COMPOUNDS, MOLYBDENUM
DISULPHIDE, SULFUR AND DIRT

002229

-0.2 EDGES acc.
DIN ISO 13715

DRN. BY: R. CHURCH	02AUG24	PROPERTY OF ANP	 ANAND NVH PRODUCTS INC.
APD. BY: M. ROWE	02AUG24	THIS DRAWING IS THE SOLE PROPERTY OF ANP. IT CANNOT BE COPIED BY ANYONE WITHOUT WRITTEN PERMISSION OF ANP.	
CAD SYSTEM: CATIA V5	PROTECTION MARK: ISO 16015	UNIT - MM	TITLE: BRACKET
TOLERANCES: ISO 2768-mk	ISO 8015	SCALE - 1:1	MODEL IS MASTER FOR ALL NON-DIMENSIONED FEATURES
MASS: 0.808kg	ISO 3302:ND (RUBBER)	SHEET - A2	FEATURES
	THIRD ANGLE PROJ	PRODUCTION REFERENCE NO. XXXXX	PART NO.: U-R41792-D02
	CUST REFERENCE NO. XXXXX		A