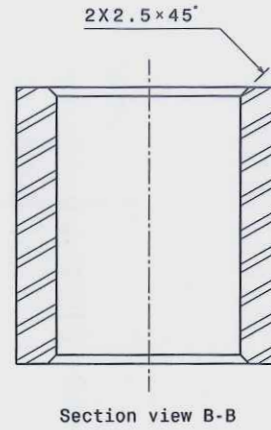
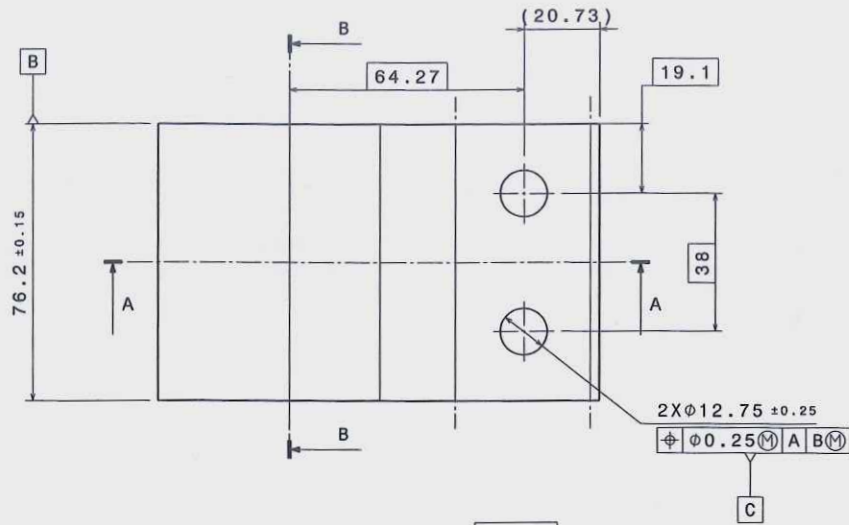
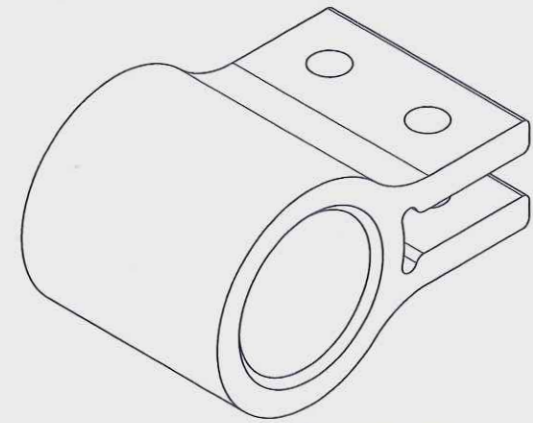
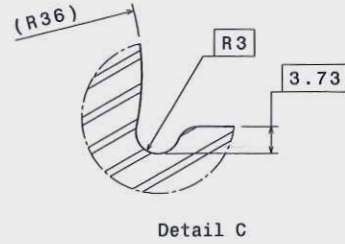
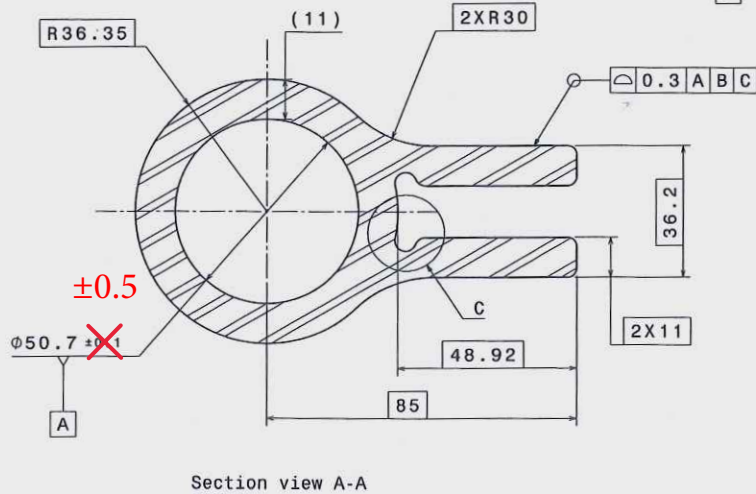


VER	PLS	DESCRIPTION	CHD BY
A	-	INITIAL RELEASE	



# Q02230- PROPOSAL DRAWING





Isometric view  
Scale: 1:1

MATERIAL: ALUMINUM 6082-T6  
 ALL UNDIMENSIONED FEATURES TO BE TAKEN FROM SOLID MODEL  
 DELIVERY CONDITION: SURFACES TO BE FREE OF GRAPHITE, SILICONE COMPOUNDS, MOLYBDENUM DISULPHIDE, SULFUR AND DIRT

*Q02230*

└-0.2 EDGES acc.  
DIN ISO 13715

DRN. BY: R.CHURCH	02AUG24	PROPERTY OF ANP		 <b>ANAND NVH PRODUCTS INC.</b>
APD. BY: M. ROWE	02AUG24	THIS DRAWING IS THE SOLE PROPERTY OF ANP. IT CANNOT BE COPIED BY ANYONE WITHOUT WRITTEN PERMISSION OF ANP		
CAD SYSTEM: CATIA V5		PROTECTION MARK: ISO 16015		TITLE: <b>BRACKET</b> PART NO.: <b>U-R11792-D02</b>
TOLERANCES: ISO 2768-mk ISO 8015		ISO 3302 MD (RUBBER) DIN 16901 (PLASTIC)		
MASS: 0.654kg CALCULATED ACTUAL		UNIT - MM SCALE - 1:1 SHEET - A2	MODEL IS MASTER FOR ALL NON-DIMENSIONED FEATURES	PRODUCTION REFERENCE NO. XXXXX
CUST REFERENCE NO. XXXXX		PRODUCTION REFERENCE NO. XXXXX		A