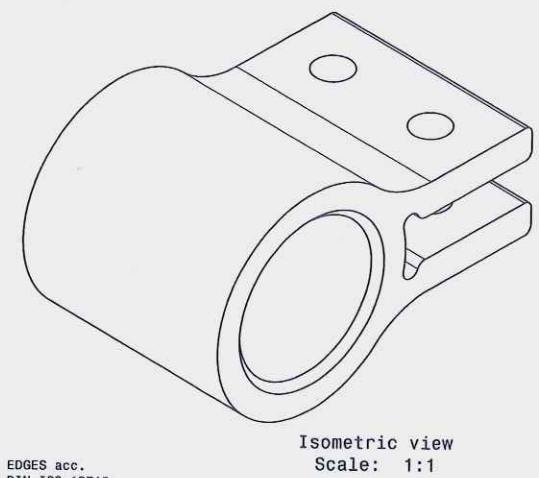
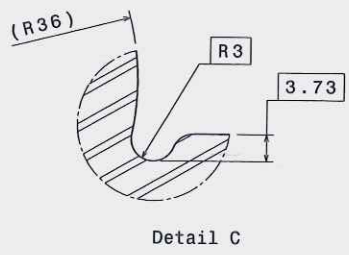
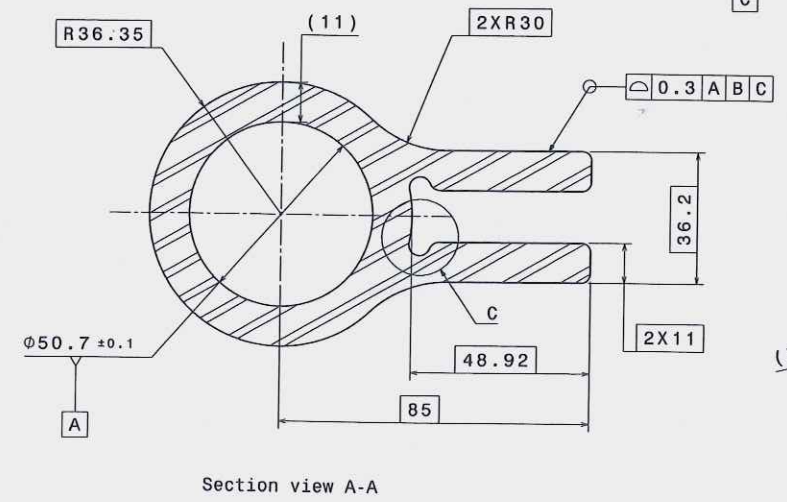
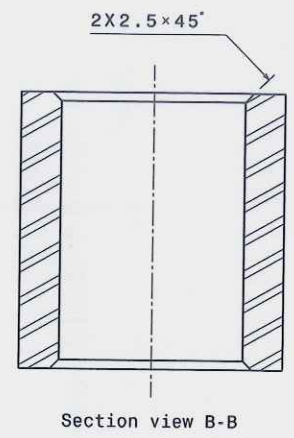
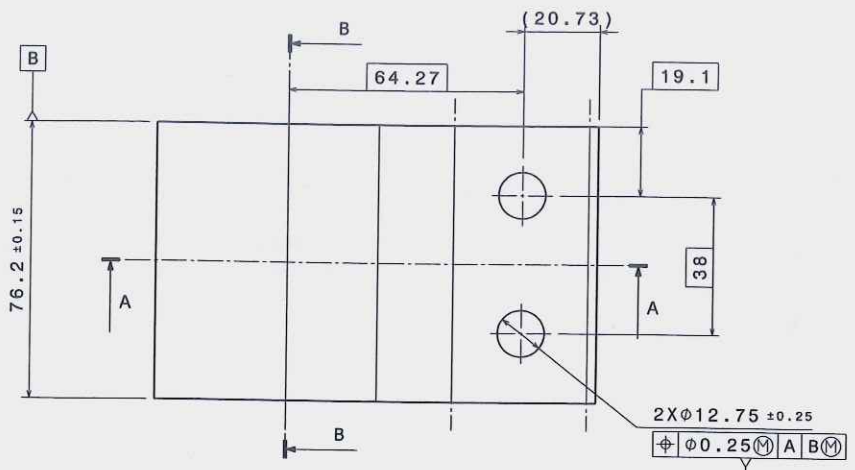


VER	PLS	DESCRIPTION	CHD BY
A	-	INITIAL RELEASE	




MATERIAL: ALUMINUM 6082-T6

ALL UNDIMENSIONED FEATURES TO BE TAKEN FROM SOLID MODEL

DELIVERY CONDITION: SURFACES TO BE FREE OF GRAPHITE, SILICONE COMPOUNDS, MOLYBDENUM DISULPHIDE, SULFUR AND DIRT

*30230*

-0.2 EDGES acc.  
DIN ISO 13715

DRN. BY: R. CHURCH	02AUG24	PROPERTY OF ANP		 ANAND NVH PRODUCTS INC.
APD. BY: M. ROWE	02AUG24	THIS DRAWING IS THE SOLE PROPERTY OF ANP. IT CANNOT BE COPIED BY ANYONE WITHOUT WRITTEN PERMISSION OF ANP		
CAD SYSTEM: CATIA V5	PROTECTION MARK: ISO 16015	UNIT - MM	MODEL IS MASTER FOR ALL NON-DIMENSIONED FEATURES	TITLE: BRACKET
TOLERANCES: ISO 2768-mk ISO 8015 ISO 3002:ND (RUBBER) DIN 16761 (PLASTIC)	SCALE - 1:1 SHEET - A2	MASS: 0.654kg	THIRD ANGLE PROJ	PART NO.: U-R11792-D02 A
CUST REFERENCE NO. XXXXX	PRODUCTION REFERENCE NO. XXXXX			