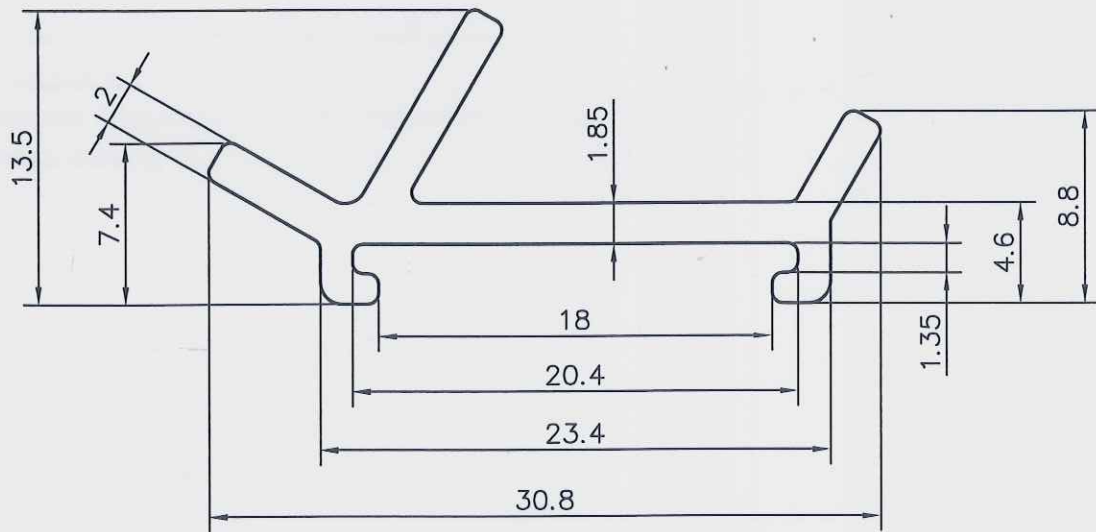


SCALE 1:1

DRAWING WAS DRAWN BY USING SAMPLE WHICH MAY LEAD SOME DEVIATION SO, KINDLY CHECK ALL DIMENSIONS PROPERLY



Area: 92.675 Sq.mm. | Perimeter: 101.91mm. | Weight: 00.25 Kg./mtr.

Q02240