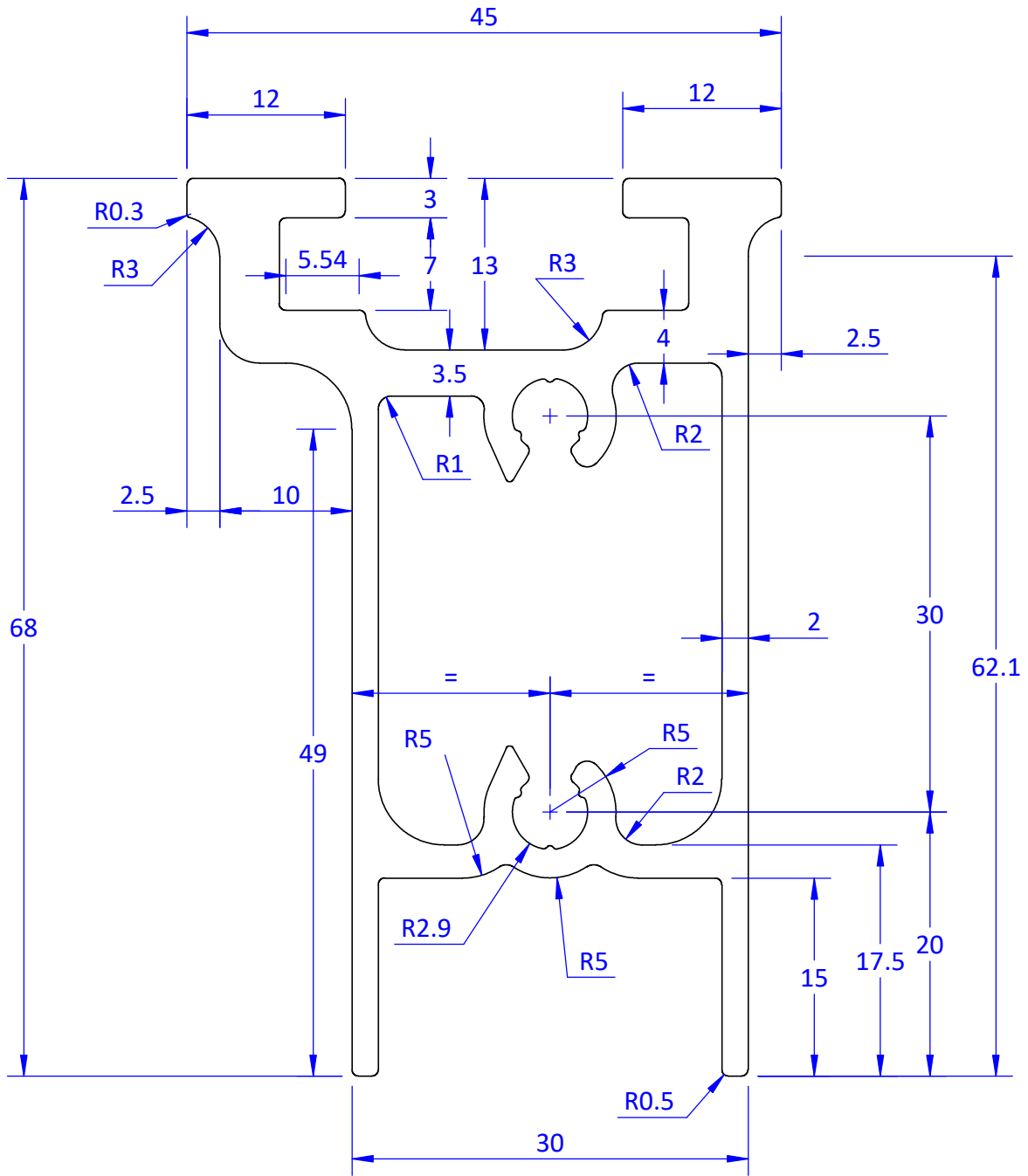


IF IN DOUBT, PLEASE ASK.



NOTE :
ALL THE SHARP EDGES TO BE BROKEN

ASSA ABLOY

8A, Part I & II, Udyog Vihar,
Greater Noida (U.P.) 201306
Phone: +91-120-4751000
assaabloyentrance.com/in

Projection		Tol.	REF. TABLE	Drawn	PRAVEEN	Proj.	Slim Profile
NC-File	N/A	Dr.date		01-12-2023			
SheetM.	N/A	Chkd		ANUJ SINGH			
Mat.	Aluminum 6063-T6	Ch.date		01-12-2023			
Finish	Silver Anodised	Dim.		mm			
Art.nr.	Scale		1:5	Sheet 1 of 1		

This drawing contains confidential information and is the property of ASSA ABLOY without whose permission it may not be copied, shown or handed to a third party or otherwise used.

Description
700769-Slim Profile

Dep.	Config.	Title	Drwg No.	rev.	Format: A4
	Default	Slim Profile	700769	0	