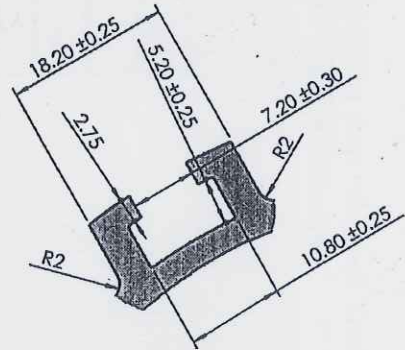
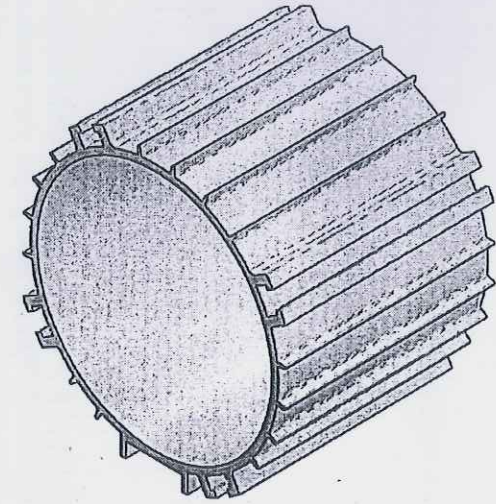
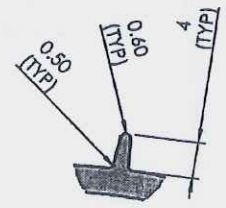


Ovality = 0.70 mm



DETAIL A
SCALE 2 : 1.5



DETAIL B
SCALE 2 : 1.5

Q02245