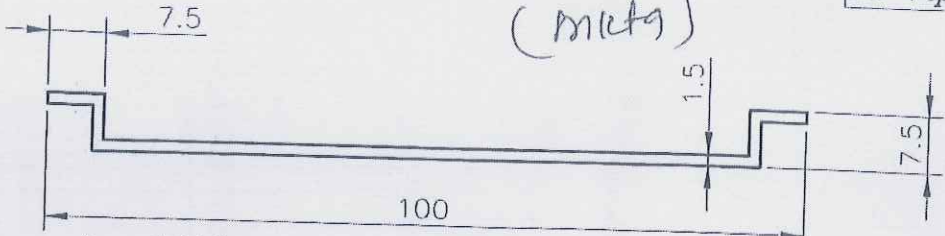


→ MSJ. VR (mtr)

Q02247

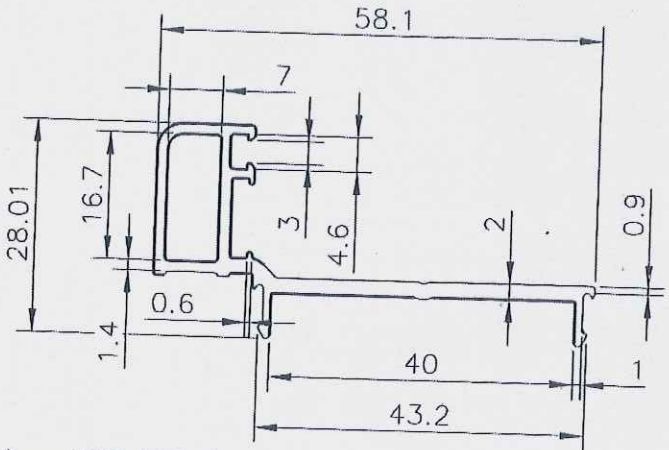


Area: 167.999 Sq.mm. | Perimeter: 227mm.
 Weight: 0.454 Kg./mtr.
 DATE: 15/07/2024
 ALLOY:

100x7.5x1.5

Q46443

Q02248



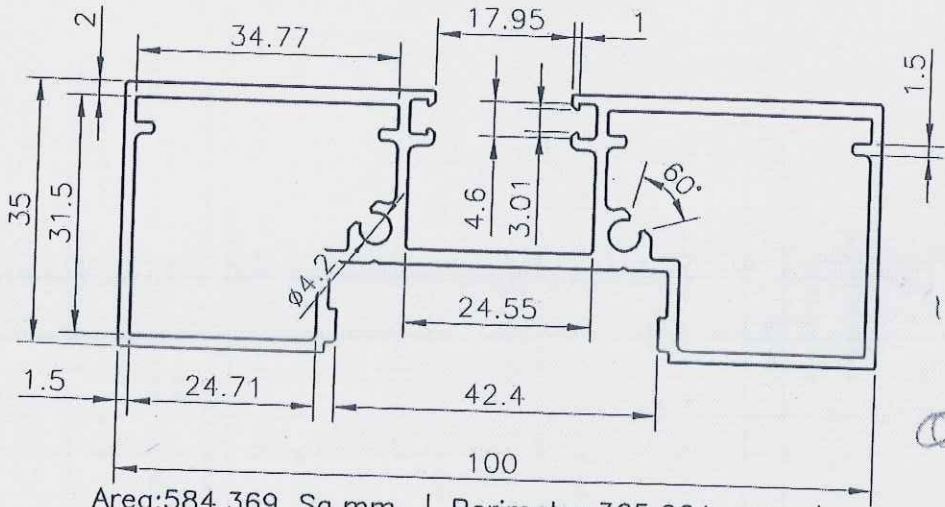
Area: 197.106 Sq.mm. | Perimeter: 198.961 mm.
 Weight: 0.532 Kg./mtr.
 DATE: 15/07/2024
 ALLOY:

DATE: 15/07/2024
 ALLOY: 6063 T6

58.1x28.01x2

Q46444

Q02249



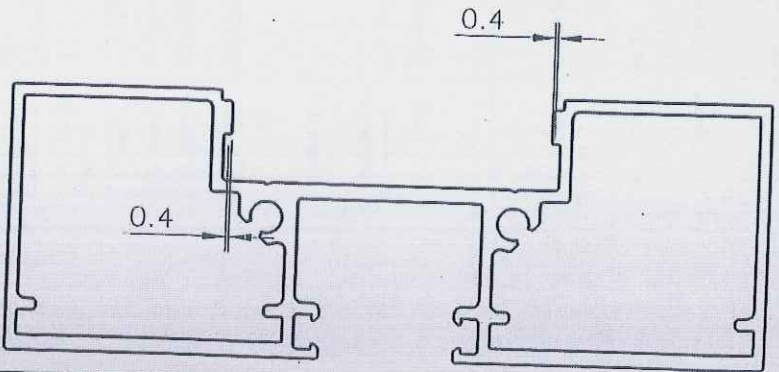
Area: 584.369 Sq.mm. | Perimeter: 365.921 mm.
 Weight: 1.578 Kg./mtr.
 DATE: 15/07/2024
 ALLOY: 6063 T6

DATE: 15/07/2024
 ALLOY: 6063 T6

100x35x1.5

Q46445

ASSEMBLY DRAWING



Customize Door Frame
 requirement for