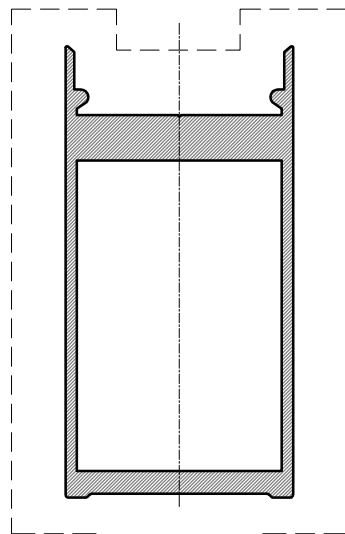
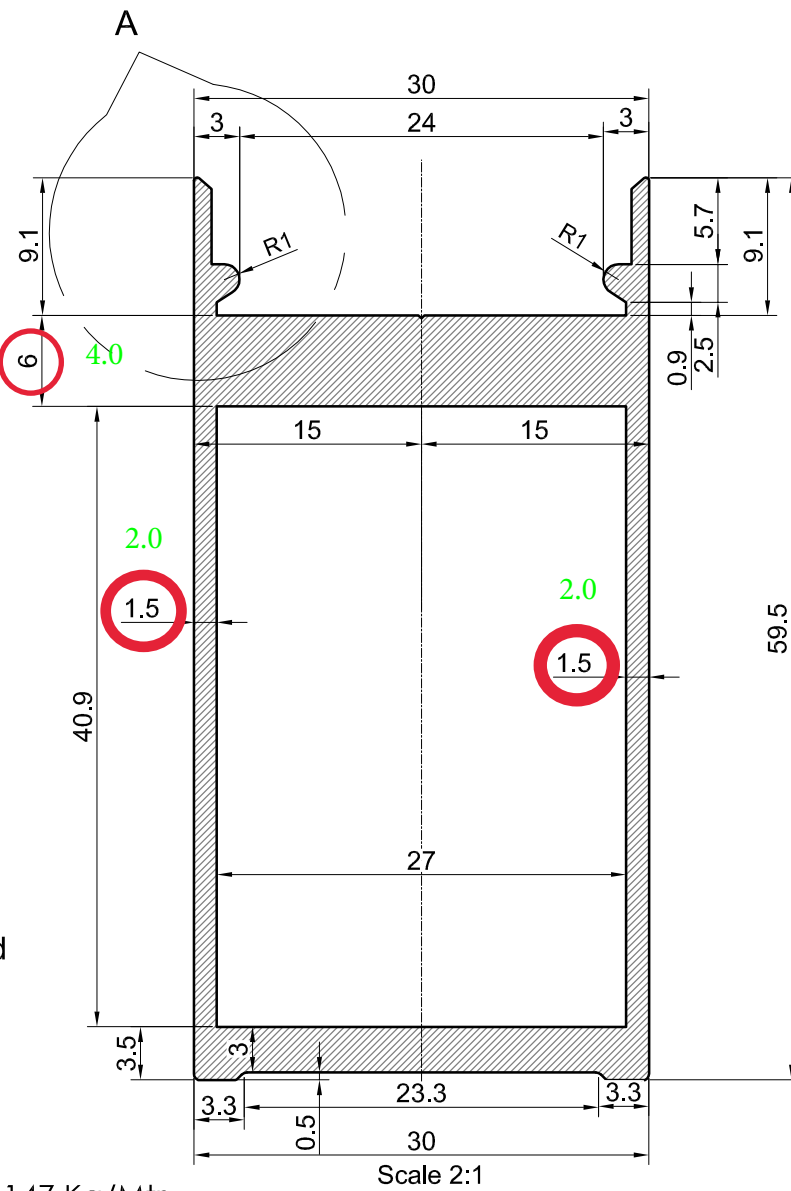


Detail A  
(Scale 5:1)



Scale 1:1



Scale 2:1

W - 1.147 Kg/Mtr

- Special Feature:-**
1. Anodizable.
  2. No Machining
  3. To Bend- No
  4. Alloy & Temper - 6063 T6

Cut Length :- To be Finalized

Material.-	—	Qty-	—	Extrusion Aluminium Reinforce Vertical GS24					
Customer	XXXX				Project		XXX		
				Print:	Draft		Drg No:	M33558	
				Drawn By	Date	Version	Scale	Format	Sheet
				AKS	23/11/2023	Rev.B6	1:1	A4	1/1
File: \\ax2\AX\Alusystems\ALUSYSTEM DEVELOPMENTS\Extrusion Drawing VENDOR CONVERSATION\2									

GSC Alusystems Private Ltd  
 Plot 41, Sector Ecotech-1,  
 Extension-1, Greater Noida,  
 Gautam Buddha Nagar  
 UP, India Pin 201310