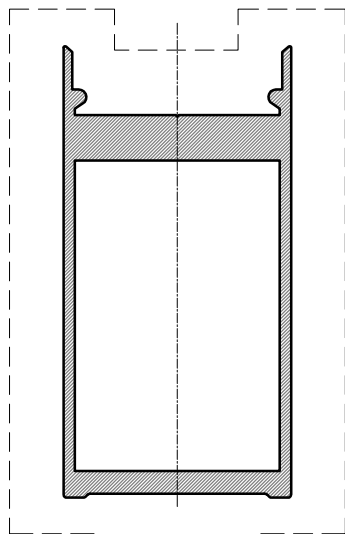
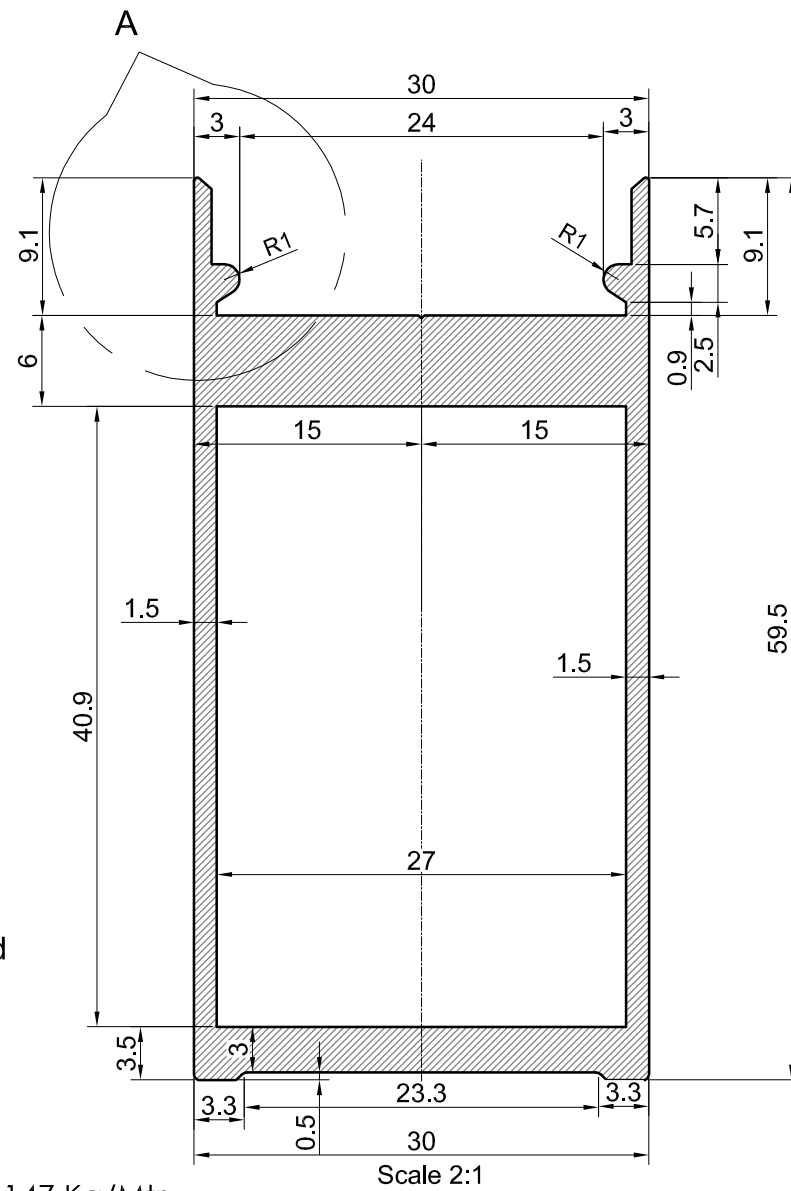


Detail A
(Scale 5:1)



Scale 1:1

Exposed Face



W - 1.147 Kg/Mtr

Special Feature:-

1. Anodizable.
2. No Machining
3. To Bend- No
4. Alloy & Temper - 6063 T6

Cut Length :- To be Finalized

Material.-	—	Qty-	Extrusion Aluminium Reinforce Vertical GS24				
Customer	XXXX		Project		XXX		
			Print:	Draft	Drg No:	M33558	
			Drawn By	Date	Version	Scale	Format
			AKS	23/11/2023	Rev.B6	1:1	A4
			File: \\ax2\AX\Alusystems\ALUSYSTEM DEVELOPMENTS\Extrusion Drawing VENDOR CONVERSATION\2				

GSC Alusystems Private Ltd
 Plot 41, Sector Ecotech-1,
 Extension-1, Greater Noida,
 Gautam Buddha Nagar
 UP, India Pin 201310