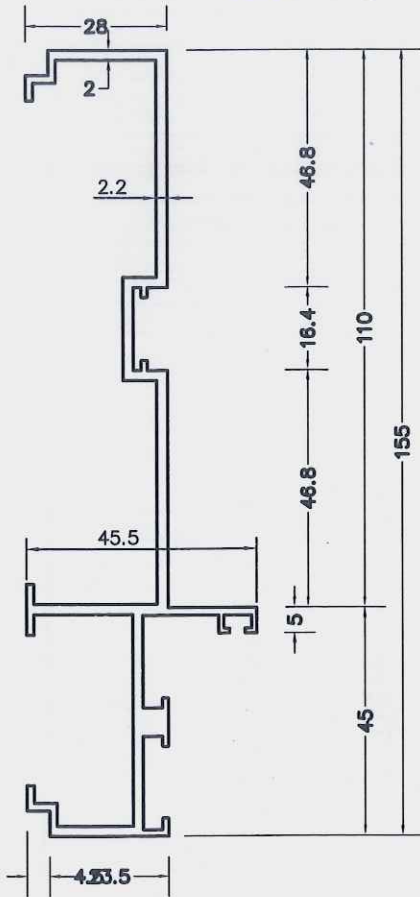
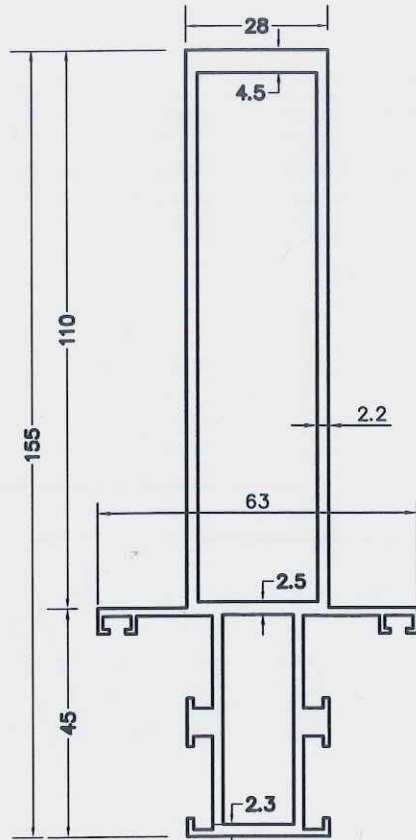


OUTER FRAME Q02264



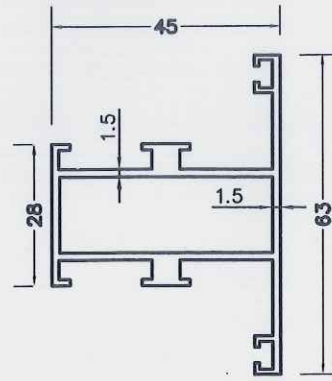
WT. Kg/m. - 1.675

DIVIDER Q02265



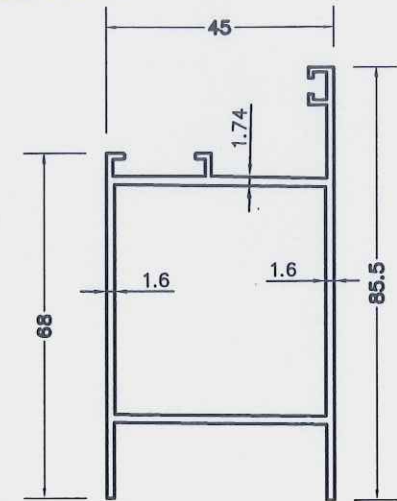
WT. Kg/m. - 2.775

DIVIDER SMALL Q02266



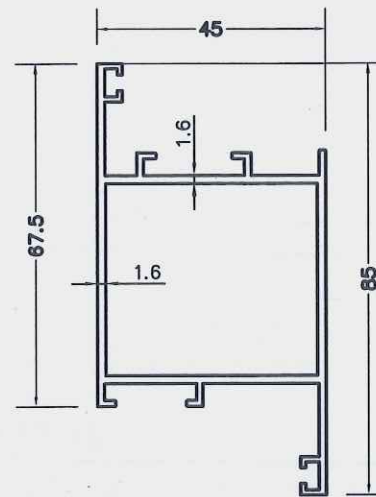
WT. Kg/m. - 0.953

Q02267 DOOR BOTTOM



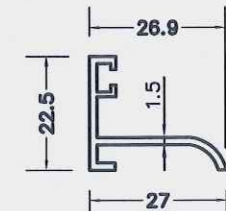
WT. Kg/m. - 1.076

Q02269 DOOR SHUTTER



WT. Kg/m. - 1.054

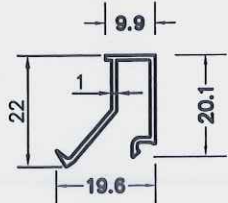
DOOR SEAL



WT. Kg/m. - 0.251

19460

BEADING



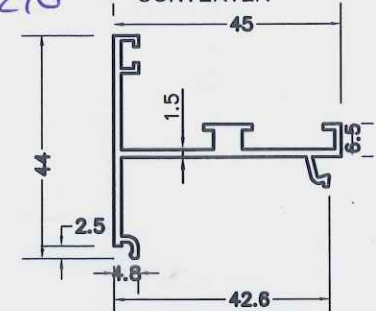
WT. Kg/m. - 0.161

CLIP




WT. Kg/m. - 0.800

Q02270 CONVERTER



WT. Kg/m. - 0.535

<p>FACADE CONSULTANT-</p>  <p>WZ-525 AG, HANGAL RAYA NEW DELHI - 110046 (INDIA) Phone: +91-11-26523739 Mobile: +91-9811515339 E-mail: info@afacade.com akshaykumar75@gmail.com Website: www.afacade.com</p>	<p>CLIENT</p> <p>M/s. Cogent E Services Limited A-118, Sector-65, Noida, U.P. - 201301 (INDIA)</p>	<p>ARCHITECTS</p>	<p>TITLE</p> <p>PROFILE CHART</p>	<p>GENERAL NOTES</p> <ul style="list-style-type: none"> • ALL THE ELEVATIONS ARE DRAWN FROM OUTSIDE • ALL DIMENSIONS ARE IN MM UNLESS OTHERWISE STATED, ONLY METRIC DIMENSIONS ARE TO BE FOLLOWED. • ALL DIMENSIONS ARE TO BE SPREAD THROUGHOUT THE ENTIRE LENGTH UNLESS OTHERWISE STATED, UNLESS OTHERWISE SPECIFIED. 	<p>ISSUED FOR</p> <p><input type="checkbox"/> APPROVAL</p> <p><input type="checkbox"/> SUBMISSION</p> <p><input type="checkbox"/> TENDER</p> <p><input type="checkbox"/> GFC</p> <p><input type="checkbox"/> INFO</p>	<p>REVISION</p>	<p>DATE</p>	<p>REMARKS</p>	<p>DRAWN BY</p> <p>ROHAN</p>	<p>CHECKED BY</p> <p>L.KUMAR</p>	<p>DATE</p> <p>06.08.24</p>	<p>REV. NO.</p> <p>0</p>
			<p>PROJECT</p> <p>BUILDING AT PLOT NO. A-118, SECTOR-65 NOIDA, UP - 201301, UP</p>		<p>SCALE</p> <p>N.T.S.</p>	<p>DRG.NO.</p> <p>AF/CES/118/CL-DE09</p>						