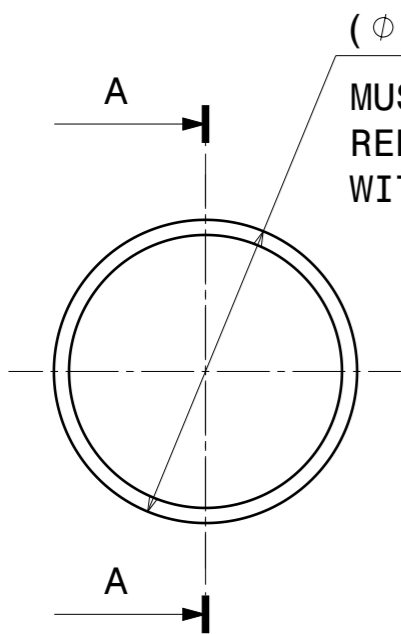
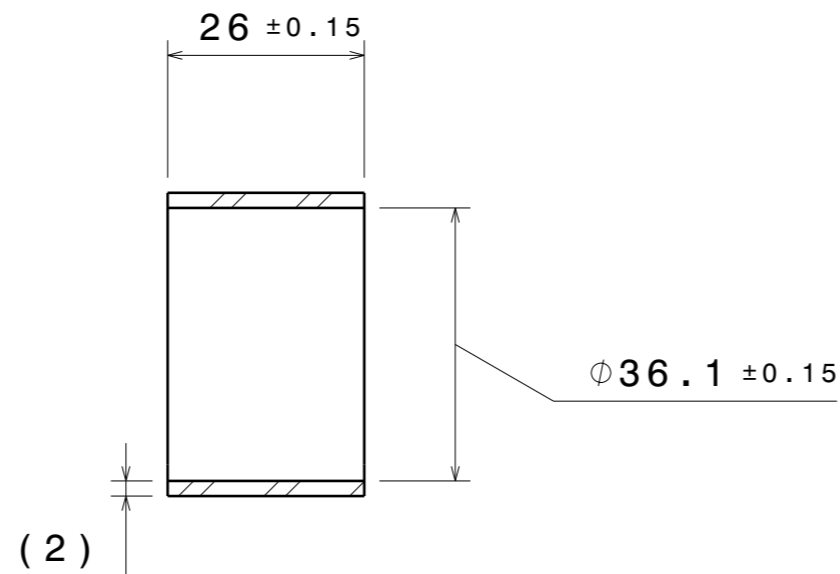


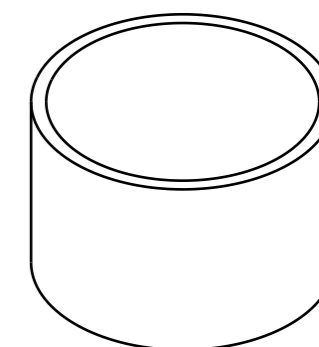
| VER | PLS | DESCRIPTION | CHD BY | DATE | APD BY | ECR |
|-----|-----|-----------------|--------|------|--------|------|
| A | - | INITIAL RELEASE | | | | 1411 |



(φ40.1)
MUST BE ABLE TO BE REDUCED TO φ39 WITHOUT CRACKS



Section view A-A




Isometric view

MATERIAL: ALUMINUM 6061-T6

MATERIAL THICKNESS: 2mm ±0.1

DELIVERY CONDITION:
SURFACES TO BE FREE OF GRAPHITE,
SILICONE COMPOUNDS, MOLYBDENUM
DISULPHIDE, SULFUR AND DIRT.

-0.2 EDGES acc.
DIN ISO 13715

| | | | | |
|--------------------------|----------------------------|---|--|---|
| DRN. BY: R. CHURCH | 13SEPT23 | PROPERTY OF ANP | |  ANAND NVH PRODUCTS INC. |
| APD. BY: P. CORCORAN | 13SEPT23 | THIS DRAWING IS THE SOLE PROPERTY OF ANP. IT CANNOT BE COPIED BY ANYONE WITHOUT WRITTEN PERMISSION OF ANP | | |
| CAD SYSTEM: CATIA V5 | PROTECTION MARK: ISO 16015 | TOLERANCED: ISO 2768-mk ISO 8015 ISO 3302:M3 (RUBBER) DIN 16901 (PLASTIC) | | TITLE: OUTER PART |
| MASS: 0.017kg | - ACTUAL | UNIT - MM | MODEL IS MASTER FOR ALL NON-DIMENSIONED FEATURES | |
| CUST REFERENCE NO. XXXXX | | PRODUCTION REFERENCE NO. XXXXX | | PART NO.: U-ST01768-D12 |