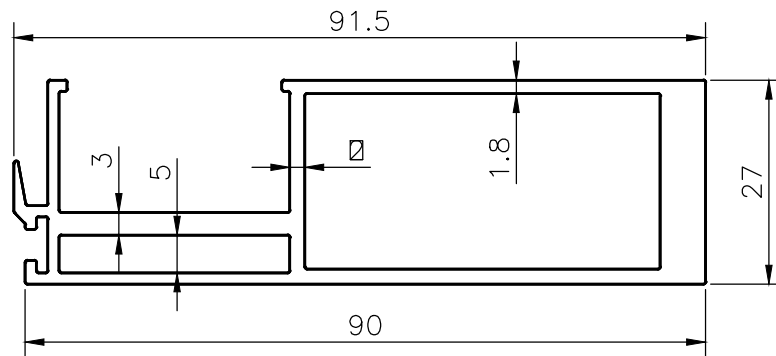


M/s.ADYANCED WINDOW AND DOOR SYSTEMS  
PROPOSED DRAWING

Q02281 ALLOY 6063 T6



PROPOSED DRAWING  
Q02282 ALLOY 6063 T6

