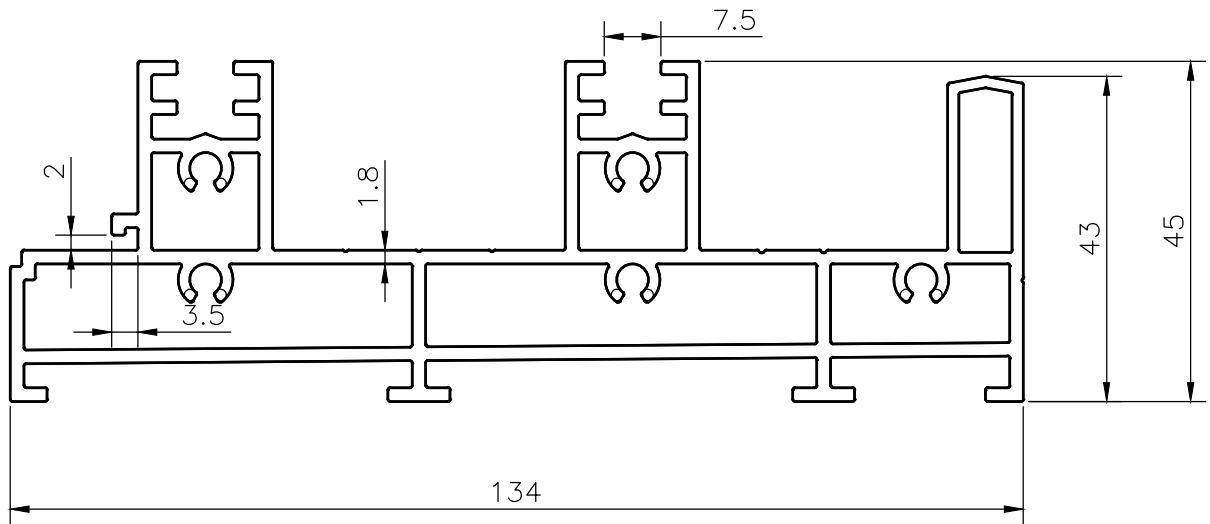


PROPOSED DRAWING

Q02291 ALLOY 6063 T6



PROPOSED DRAWING

Q02292 ALLOY 6063 T6

