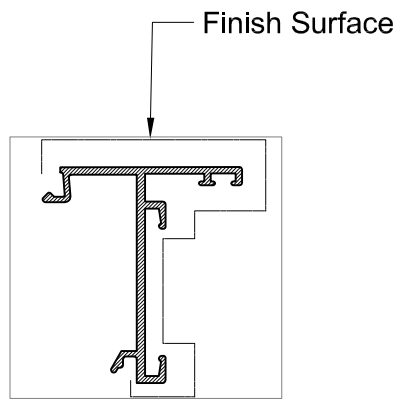


W = 0.385 Kg/M

- Special Feature:-**
1. Anodizable.
 2. No Machining
 3. To Bend- No
 4. Alloy & Temper - 6063 T6
- Cut Length :- ??



Scale 1:1

Note- All sharp edge radius is 0.2 mm.

Scale 5:1

Material.- AL (6063 T6)		Qty-		Extrusion AL Inversion K			
Customer				Project			
Print: Draft		Drg No: M37405		Drawn By		Date	Version
AKS		11/12/2023	RevB8	Scale	Format	Sheet	
1:1		A3	1/1				
File: \\ax2\AX\Alusystems\ALUSYSTEM DEVELOPMENTS\Extrusion Drawing VENDOR CONVERSATION\2023 12 11 (Sent							

GSC Alusystems Private Ltd
 Plot 41, Sector Ecotech-1,
 Extension-1, Greater Noida,
 Gautam Buddha Nagar
 UP, India Pin 201310

