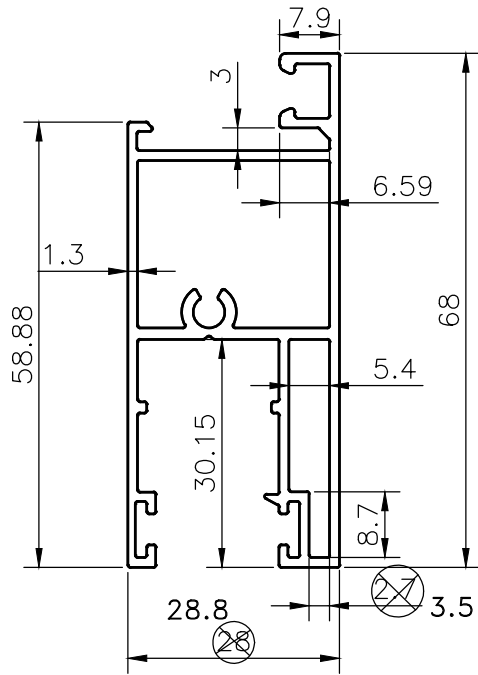


M/s.ADYANCED WINDOW AND DOOR SYSTEMS
PROPOSED DRAWING

Q02293 ALLOY 6063 T6



Q02294 ALLOY 6063 T6

