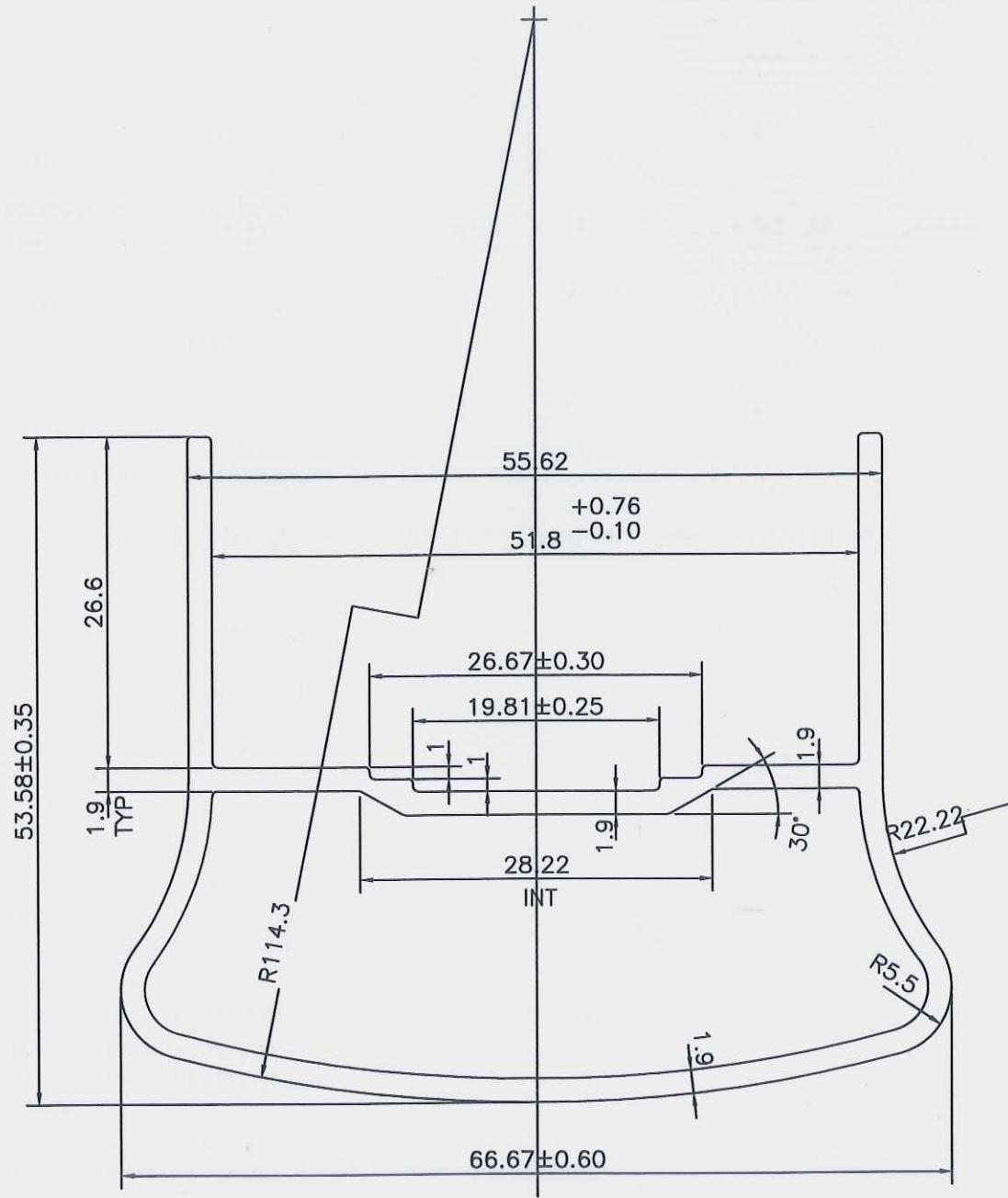
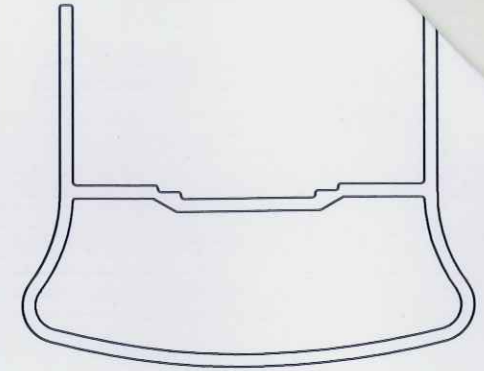


This Drawing is the Property of NAPS, and must not be copied or used without their permission.



AL. TOP RAIL.



SCALE 1:1


REV.	DATE	DWN	CHKD	DESCRIPTION
------	------	-----	------	-------------

FACADE CONSULTANT:

PROJECT:

CLIENT:

PROJECT ARCHITECTS:

FACADE CONTRACTOR:

**NITSON AND AMITSU PRIVATE LIMITED**  
**ENGINEERS**  
 2/1, DOVER TERRACE, 2nd FLOOR, KOLKATA-700019  
 PHONE: +91 33-4809 2940 / FAX: 3501-2754  
 E-MAIL: napsprojects@nitsonamitsu.in

DRAWING TITLE AL. TOP RAIL.

Drawn **PYALI** Scale **AS SHOWN**

Checked **A.DAS** Issued Date **12.08.24**

Approved **A.DAS** REF.DRG.NO

Drawing no **NAP/BS/DIE/033**