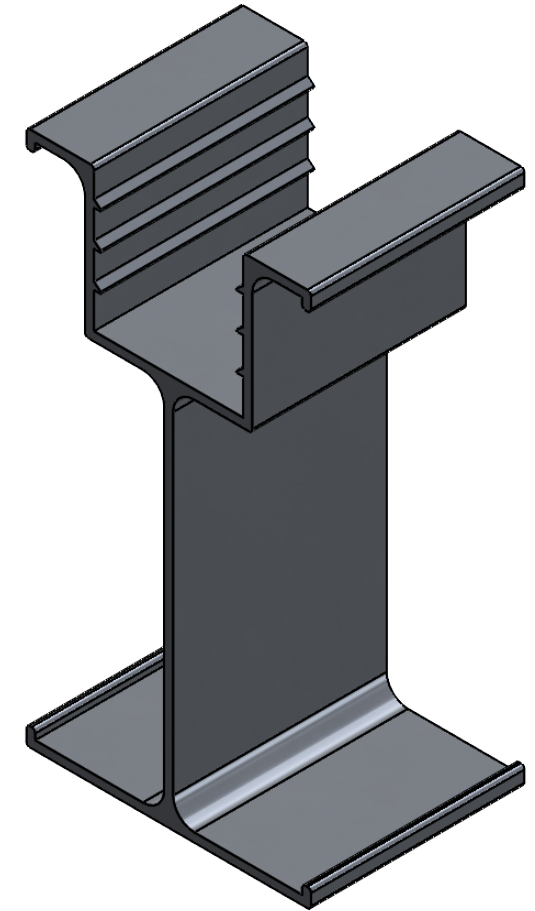
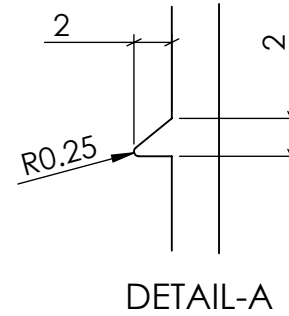
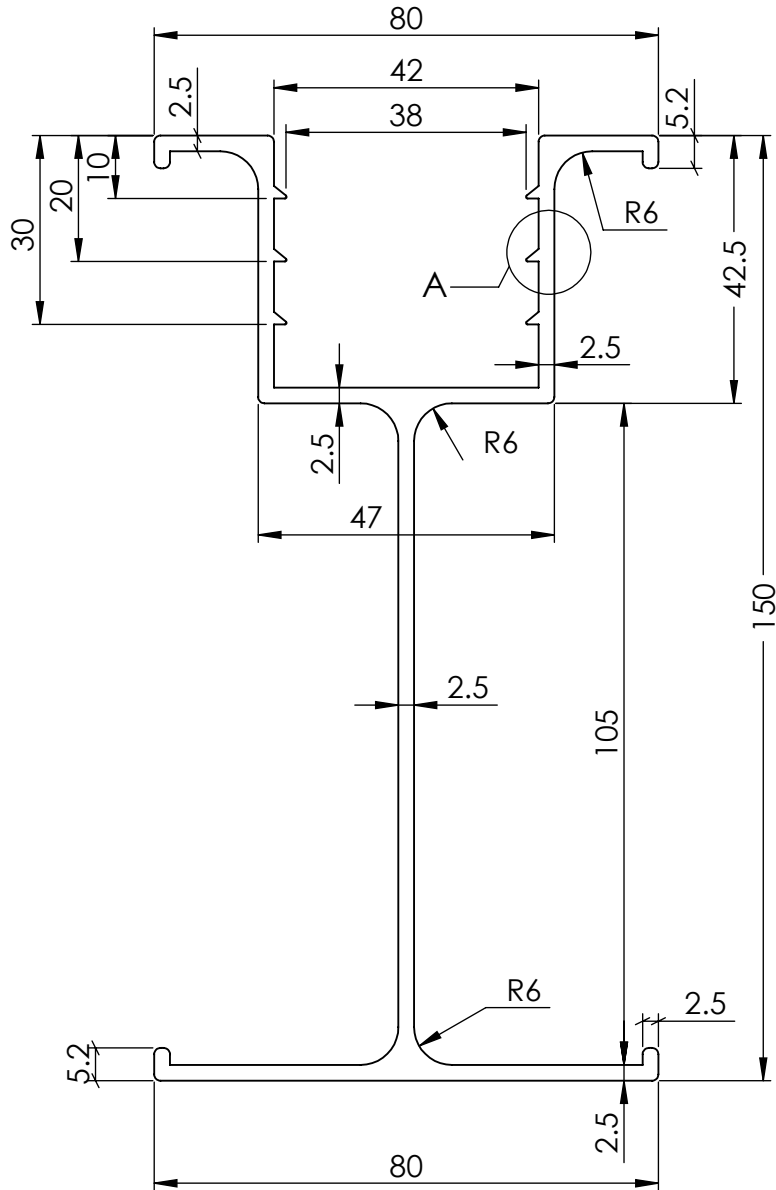


IF IN DOUBT, PLEASE ASK

This drawing is the sole property of VIJAY ENGINEERING WORKS, JALANDHAR, Unauthorised use of this drawing, information disclosing loan, copying using for sub contracting, tendering or any other misuse are not permitted.



- NOTE:-
 1). Unspecified Radius R1mm
 2). Weight - 2.55KG/M

REVISION		SIG	B-28 FOCAL POINT Extn. JALANDHAR (PB) INDIA Email: sales@vijaytools.com Tel:- +919814061911						
B	OLD		DRN.	YASHPAL SHARMA		TITLE:- PROFILE-1			
	NEW		CHD.	GAURAV SACHDEVA					
C	OLD		APPD.	RAJAN AGGARWAL		DRG NO.			
	NEW		REF NO.			CPN.			
D	OLD		GEN TOL.	ANGLE :- ±2°		THICKNESS :- ±10%			
	NEW		PROJECTION	MATERIAL	SCALE	FORMAT	PAGE NO	DATE	REV NO
				6061-T6	N.T.S	A4	1 / 1	08-12-2023	A
			FORMAT No. - FM/DG/S01		FM ISSUE DATE. - 01-06-2022		FM REV No. - 00		