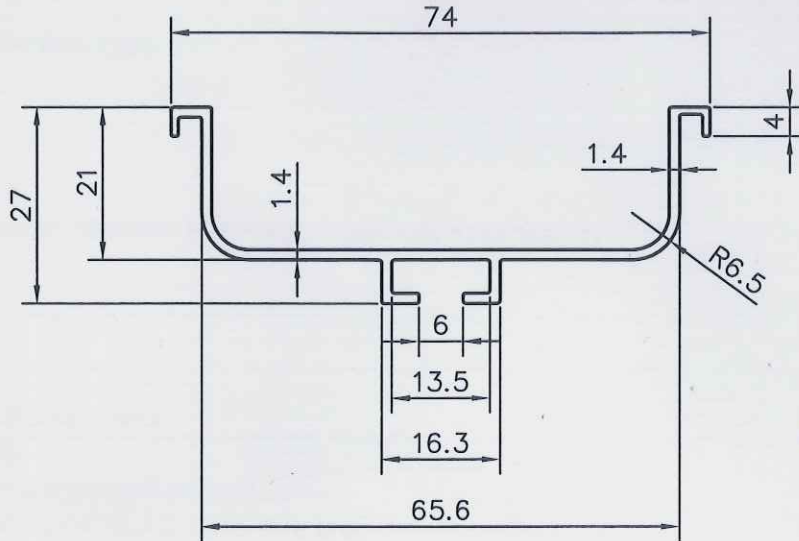
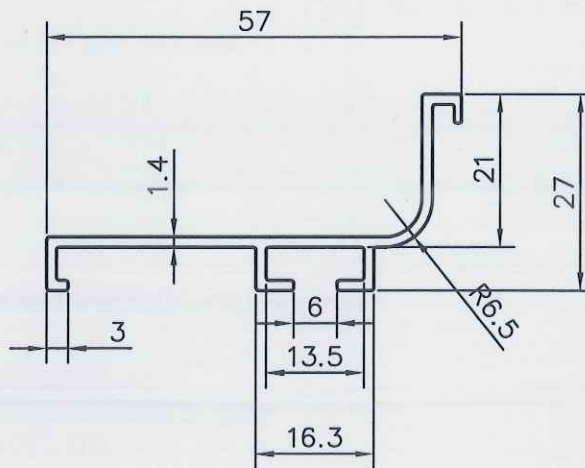


SAMPLE PROPOSAL DRAWINGS



Q02308

Area: 182.592 Sq.mm. | Perimeter: 265.32mm. | Weight: 00.493 Kg./mtr.



Q02309

Area: 144.158 Sq.mm. | Perimeter: 206.3mm. | Weight: 00.389 Kg./mtr.