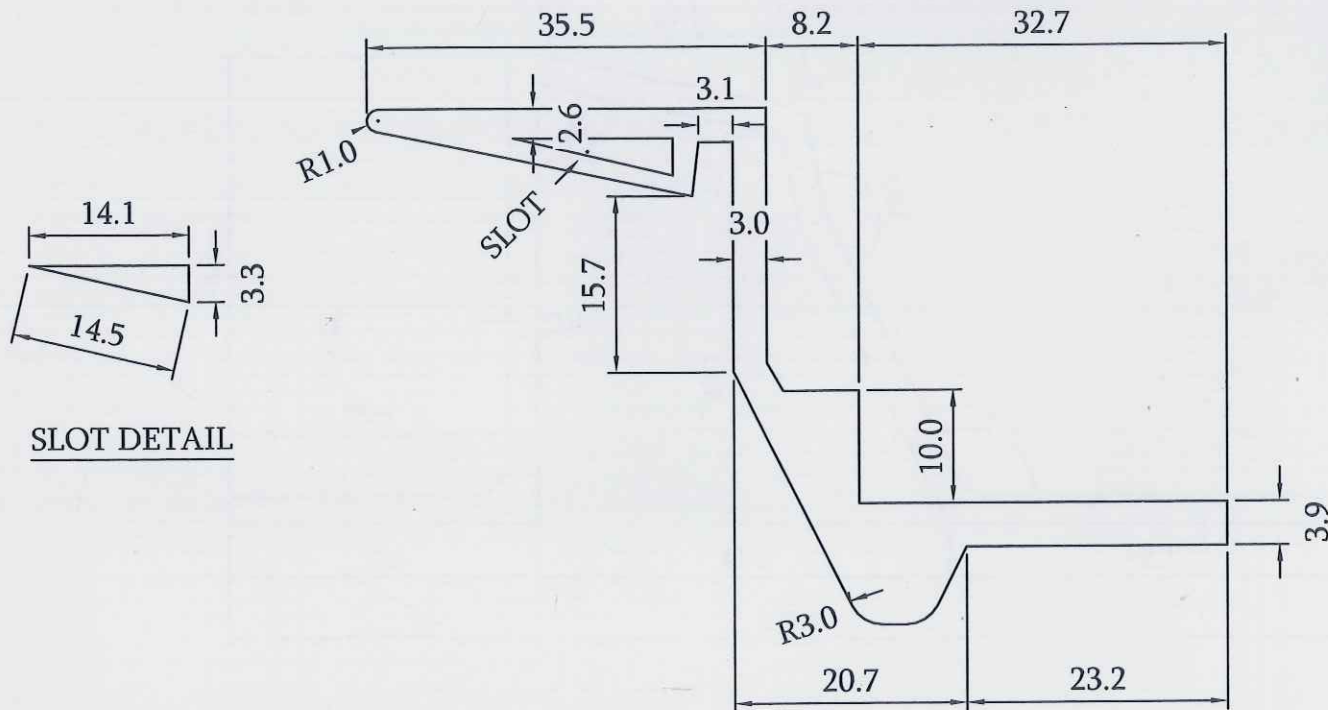


Aluminium Upper Frame



C. S. Area = 489.80 mm Sq.

Weight Per Meter Length =

$$2.72 \times 489.80 \times 10^{-3} \times 10^{-3} \times 1000 = \underline{\underline{1.33 \text{ Kg / Mtr.}}}$$

Q02310