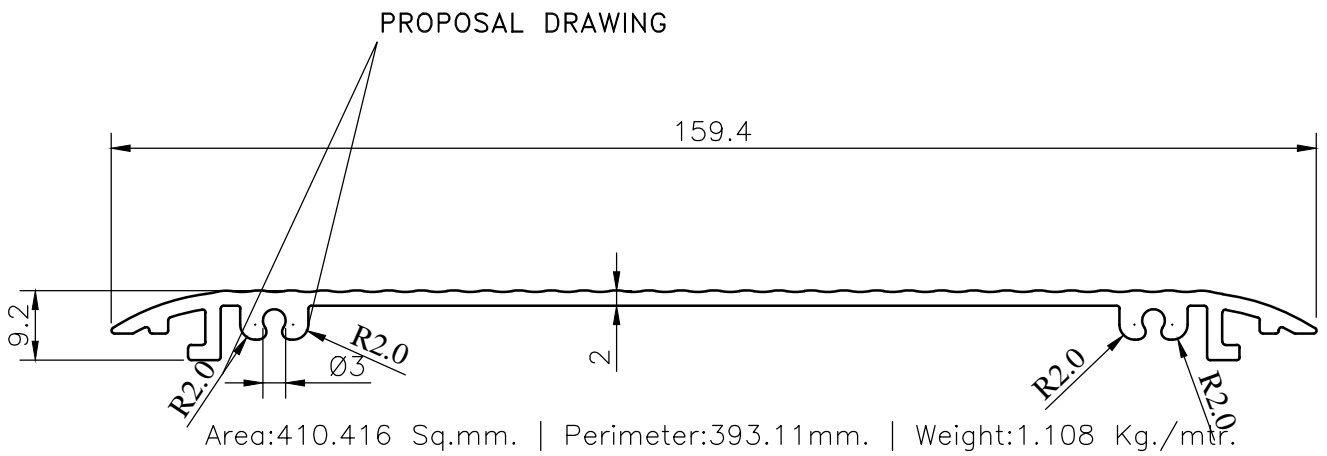
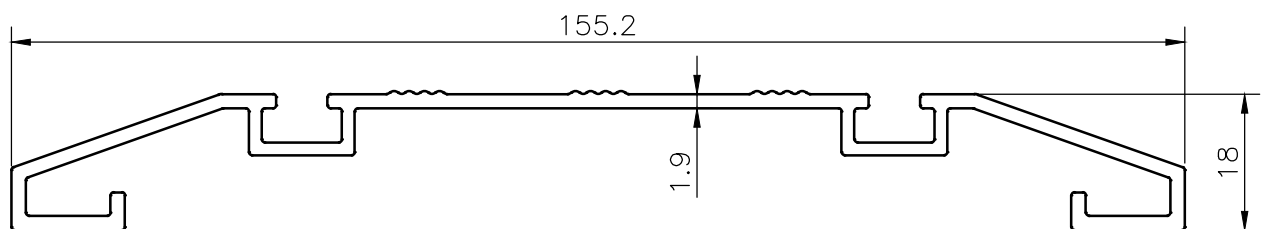


M/s. HIMANSHU ELECTRONIC & ELECTRICALLS

Q02315 ALLOY 6063 T6



Q02316 ALLOY 6063 T6



Area:444.941 Sq.mm. | Perimeter:473.54mm. | Weight:1.201 Kg./mtr.