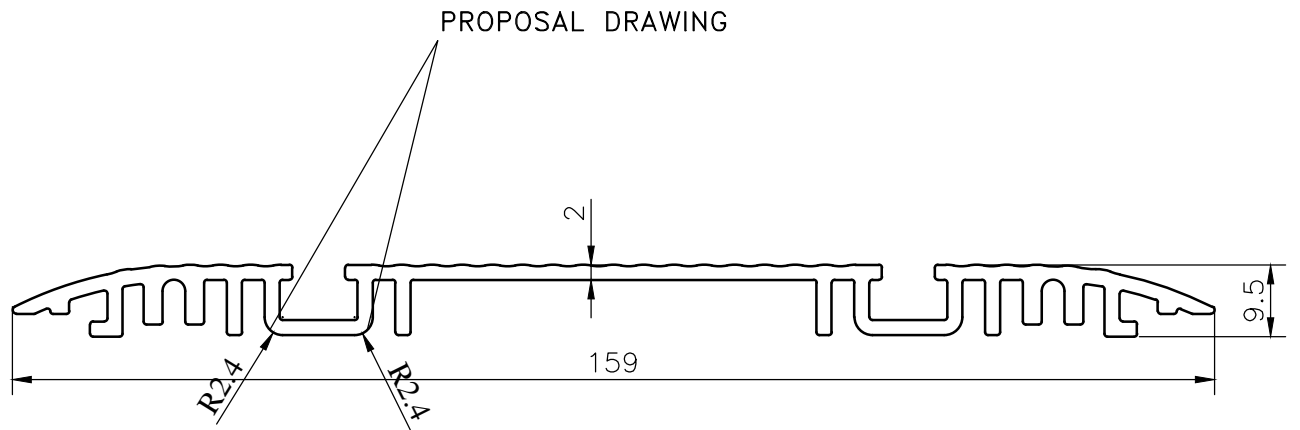


Q02319 ALLOY 6063 T6



Area:539.738 Sq.mm. | Perimeter:523.24mm. | Weight:1.457 Kg./mtr.