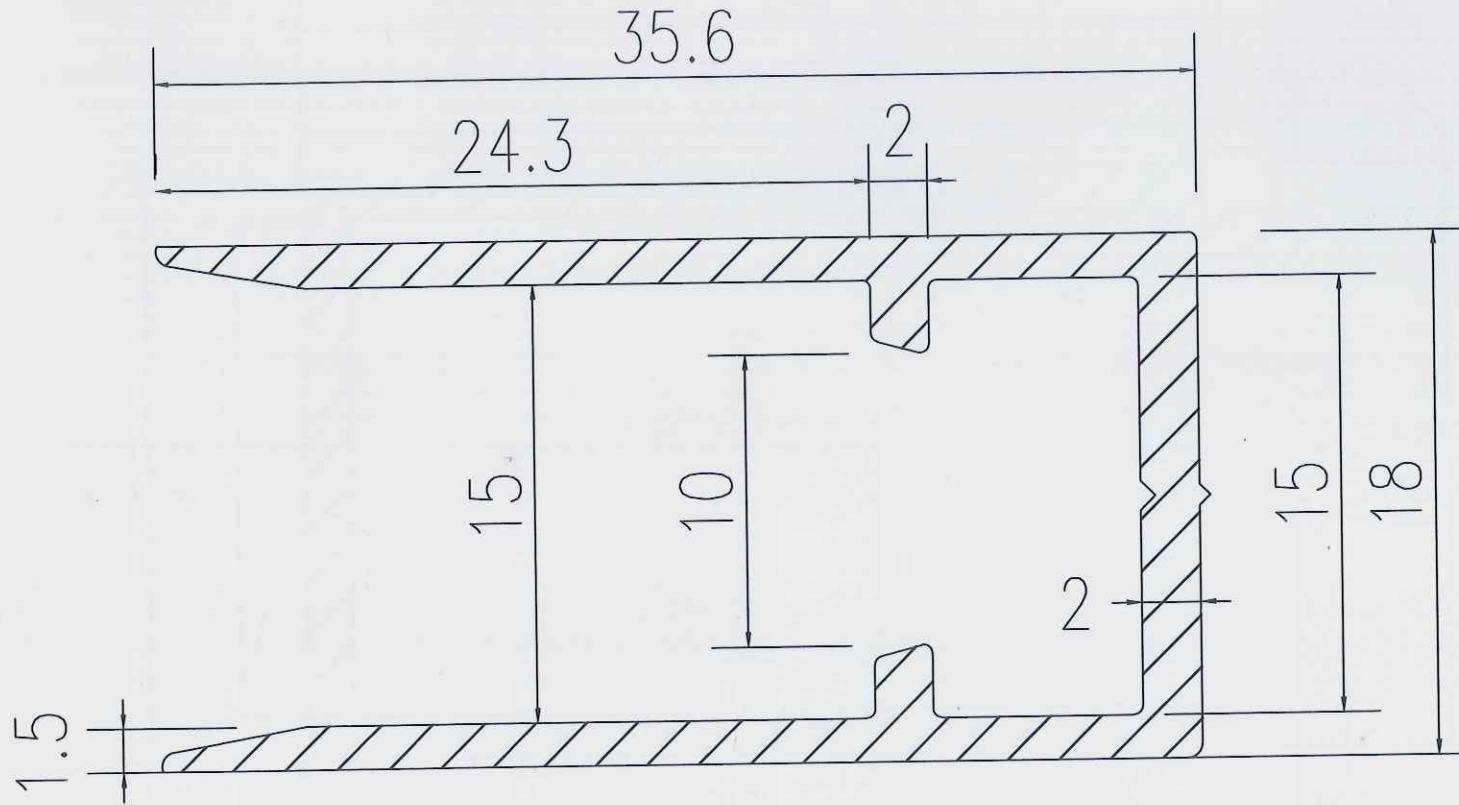


**GLASS SUPPORT (ADD-ONE)
NEW DIE -02**



**WEIGHT- 0.381 KG PER MTR
(28 MM GLASS)**

Q02324

PERIMETER	AREA	WEIGHT PER RMT	NEW DIE NO.
180.825	141.213	0.381 KG PER MTR	KSV /AWAN/ NEW DIE/ COUNTER/ DRG- KSV.AW. -02