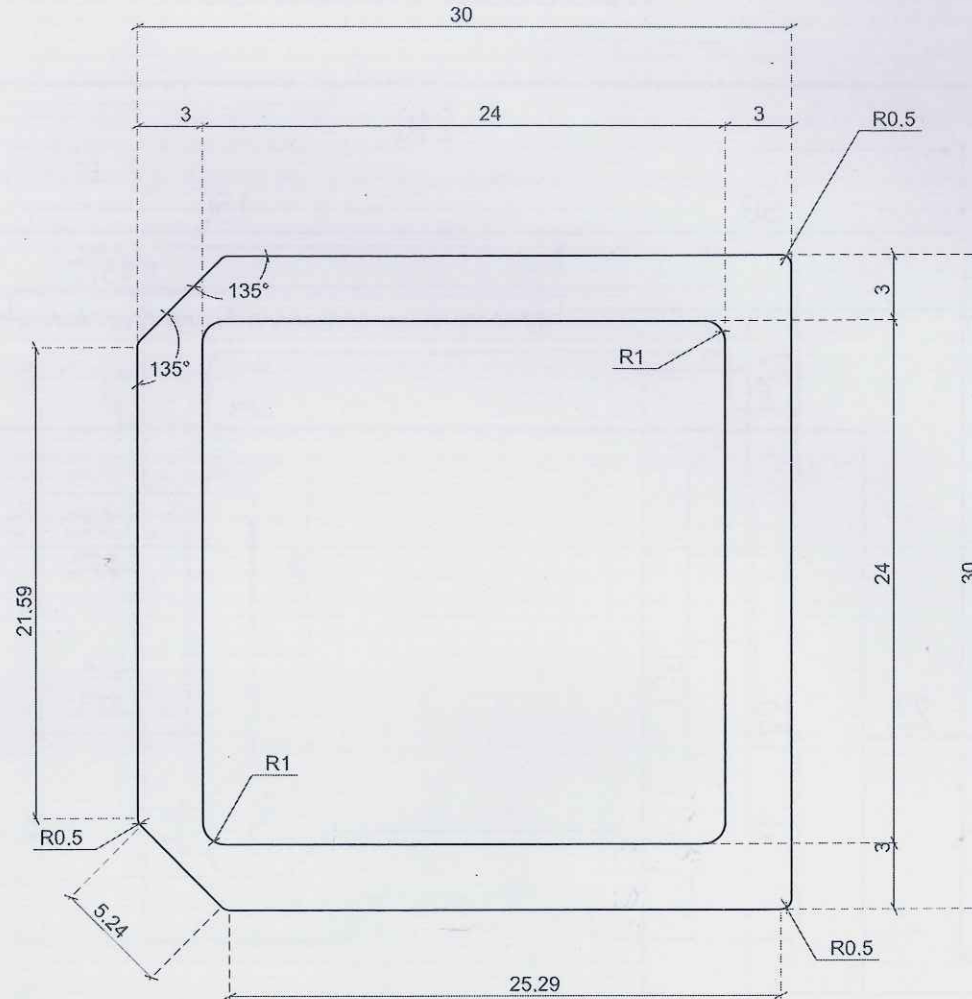


FOP_01684-Taper alu extrusion.



G01328

Top View

Scale-3:1

SHARK

SHARK SHOPFITS PRIVATE LTD.
Plot No. 29, Udyog Vihar, Echeotech-II,
Greater Noida, Distt. Gautam Budh Nagar,
Uttar Pradesh(201306)

Client's Name/ Logo:

General Notes:

1. Do not scale from the drawings.
2. All dimensions are in mm, unless noted otherwise.
3. All drawings should be read in conjunction with other relevant drawings.
4. Any discrepancies are to be brought to the attention of the designer/ planning and must be resolved before commencement of any work.

Project Code:

Revision	Description	Date
R0	Drawings sent for client's approval	01-03-2024

Drawing Title:	
Drawing No:	
Fixture No:	

Drawn by:	Rishikesh
Checked by:	Gaurav
Approved by:	Gaurav

Material:	Refer individual drawing
Tolerances:	Refer individual drawing
X.XX	= ±0.1
X.X	= ±0.2
X.	= ±0.5
HOLES	= ±0.1
ANGLES	= ±0.1°



Finishes:	Refer individual drawing
Finishing Note:	Remove all sharp edges & corners.
Sheet Size:	A4

Scale:	As Specified
Revision:	R0
Sheets No-:	1 of 1