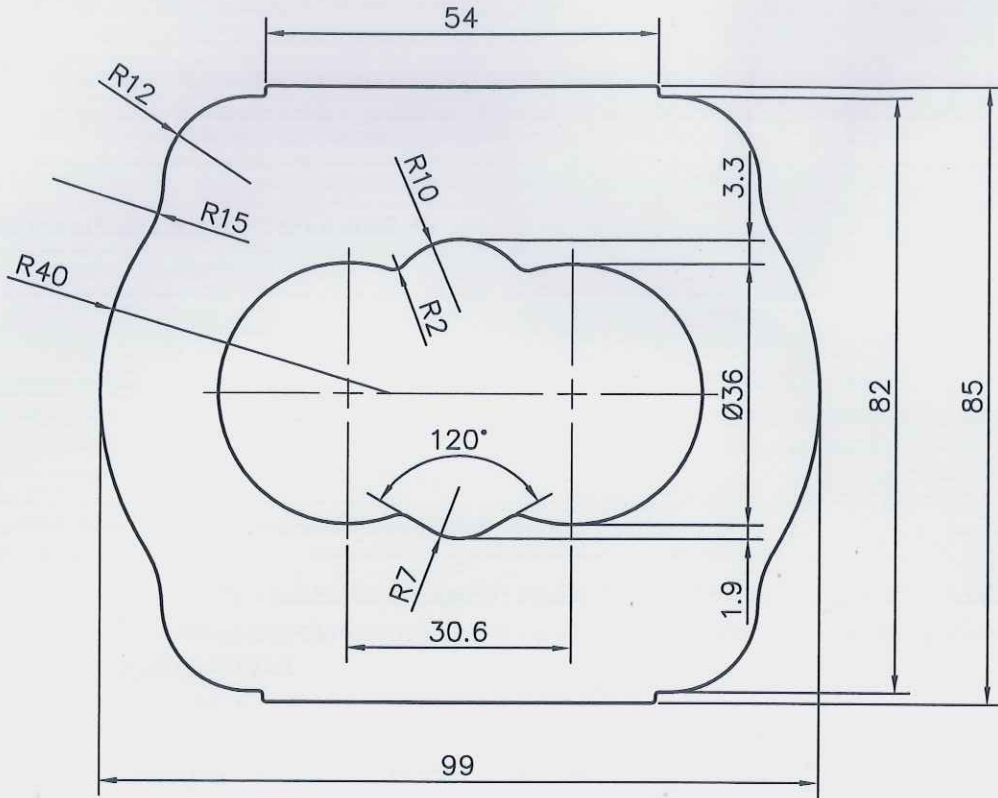
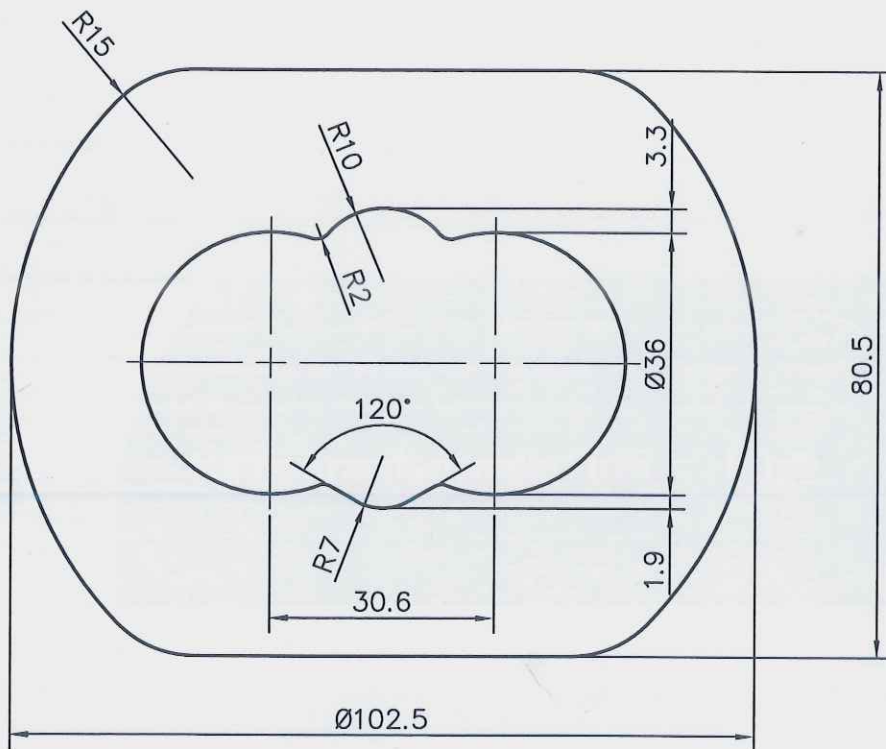


DRAWING WAS DRAWN BY USING SAMPLE WHICH MAY LEAD SOME DEVIATION SO, KINDLY CHECK ALL DIMENSIONS PROPERLY



Q02333

Area: 5194.543 Sq.mm. | Perimeter: 318.138 mm. | Weight: 14.025 Kg./mtr.



Q02334

Area: 5134.264 Sq.mm. | Perimeter: 310.02 mm. | Weight: 13.863 Kg./mtr.