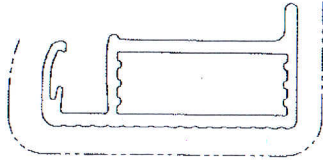


Alloy - 6005T6

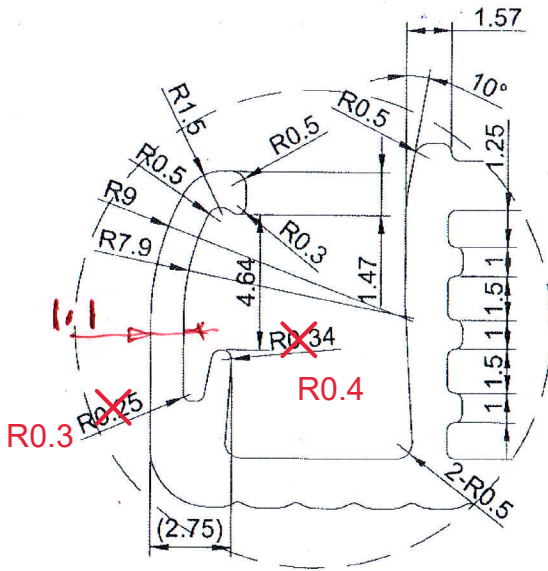
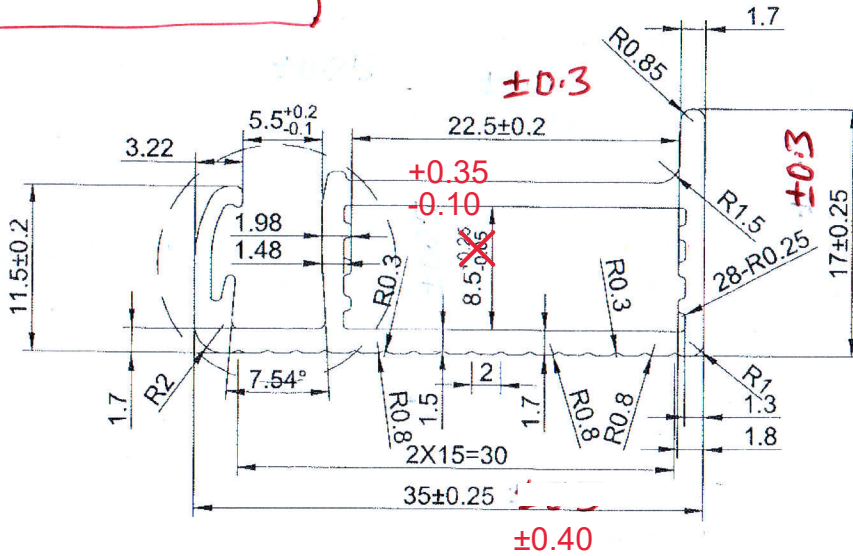
Φ02339

GB 5237.1-2017(High Precision)	
Size	Tolerance
≤3	±0.13
>3-10	±0.15
>10-15	±0.17
>15-30	±0.21
>30-45	±0.26
>45-60	±0.31
>60-100	±0.52



1:1

PROPOSAL DRAWING



Φ02339

A  
4:1

Technical Requirements:  
 1. UNSPEC Thickness: ±0.13  
 2. Exe Std: GB5237.1-2017 High Precision  
 3. Hardness: ≥14HW

Note:  
 1. Unspec. wall thickness T \_\_\_\_\_ mm  
 2. Unspec. corners rounded to R ~~0~~ mm  
 3. \_\_\_\_\_ is exposed surface.  
 4. Perimeter 127.499 mm  
 5. Section area 152.964 mm<sup>2</sup>  
 6. Liner density 0.415 kg/m  
 7. Circumcircle Ø38 mm

R0.4 mm

Machine	Processed	Change	Drawing Number	YR499	NO.
Client	Checked	Date	Discription	35X17 Frame	Scale 2:1
Date	Released	Name			Revision A/0
Jiangyin HaiHong New Energy Technology Co., LTD				Material	6005T6
				Page	Total