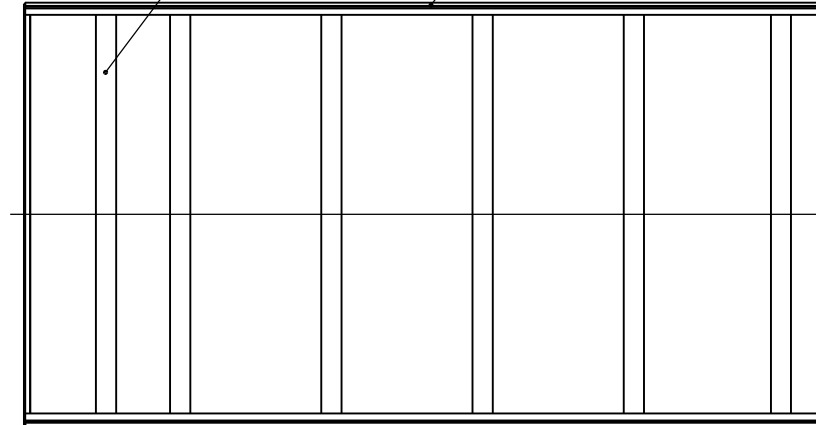


CONFIDENTIAL NOT TO BE SHARED

SUPPORT STRUT LENGTH SIDE

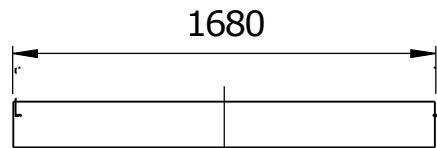


ISOMETRIC VIEW

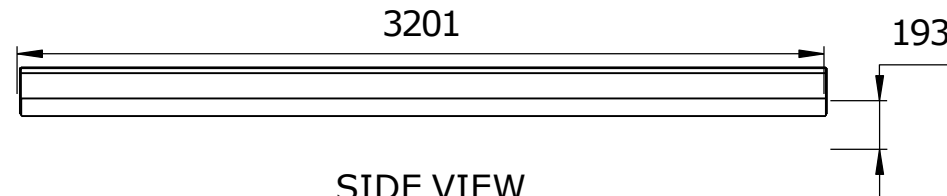


WIDTH SIDE


TOP VIEW

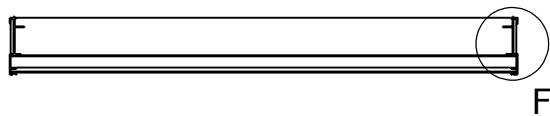
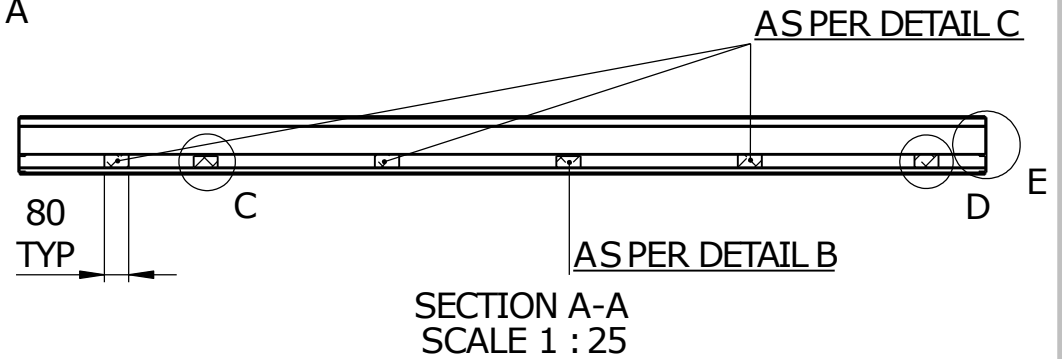
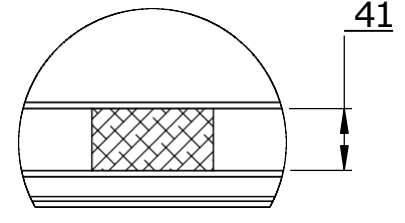
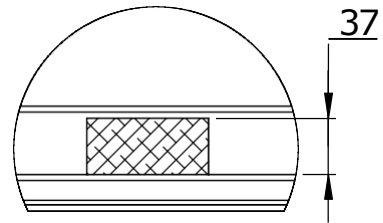
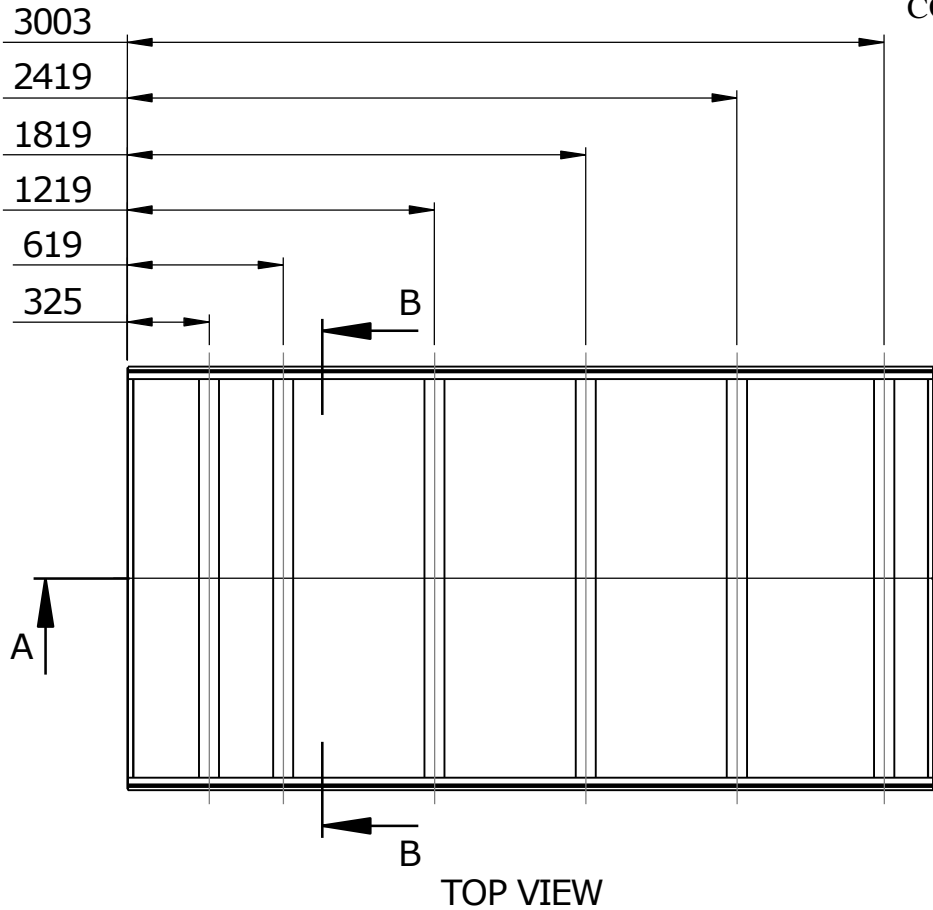


FRONT VIEW




SIDE VIEW

 eAge	MATERIAL: Aluminium	eAge, Greenlux & Valoya	
	FINISH: All edges and corners rounded, deburred and chamfered	DESCRIPTION: Aluminium bench frame outer dimensions	
D-28, SEC-80, PHASE-II, NOIDA, U.P 201301	WEIGHT: Estimated 117 Kg	DWG NO: ARB03_BENCH FRAME V3	REV: C
	DRAWN BY: Chantal Amaral		
DEBURR AND BREAK SHARP EDGES	DRAWN DATE: 16/05/2022	SHEET SCALE: 1:30	
UNLESS OTHERWISE SPECIFIED DIMENSIONS ARE IN MILLIMETERS	CHECKED BY: Temi Odanye	SHEET NUMBER: 1 OF 4	
DO NOT SCALE DRAWING	CHECKED DATE: 19/05/2023	Commercial in Confidence	
	SHEET SIZE: A4		

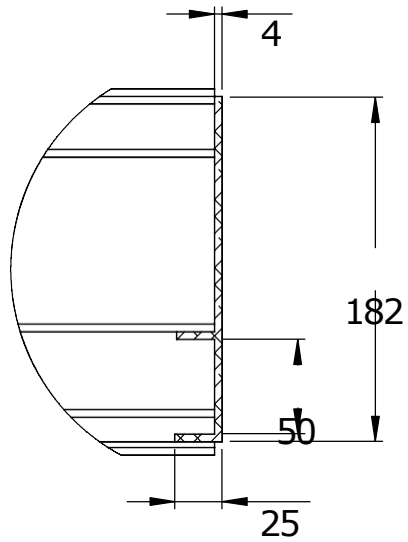


SECTION B-B
SCALE 1 : 25

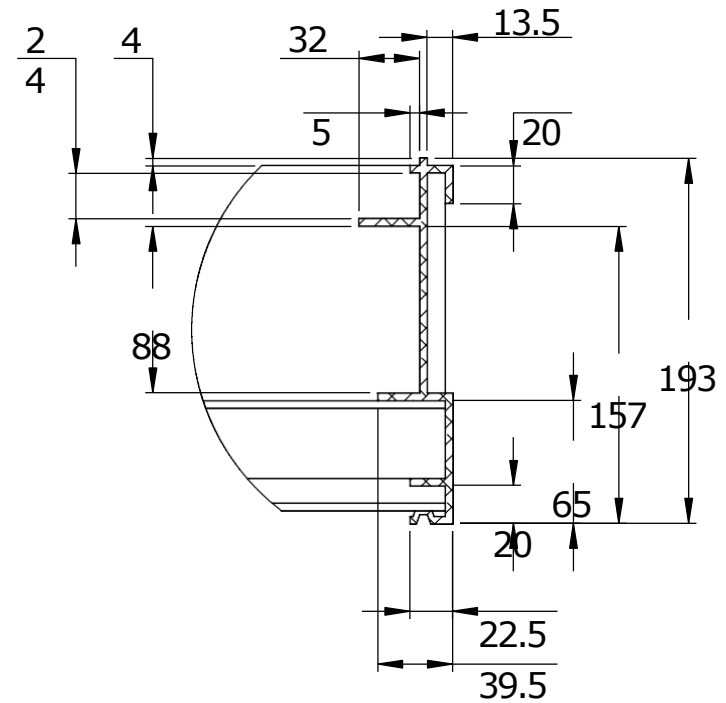
DETAIL B STRUTS ARE 4MM SHORTER TO PROVIDE SUPPORT DIRECTLY UNDER THE LAP JOINTS.

	MATERIAL:	Aluminium	eAge, Greenlux & Valoya DESCRIPTION: Bench frame struts detail
	FINISH:	All edges and corners rounded, deburred and chamfered	
D-28, SEC-80, PHASE-II, NOIDA, U.P 201301	WEIGHT:	Estimated 117 Kg	DWG NO: ARB03_BENCH FRAME V3 REV: C
	DEBURR AND BREAK SHARP EDGES	DRAWN BY:	
UNLESS OTHERWISE SPECIFIED DIMENSIONS ARE IN MILLIMETERS	DRAWN DATE:	16/05/2022	SHEET SCALE: 1:30 SHEET NUMBER: 2 OF 4
	DO NOT SCALE DRAWING	CHECKED BY:	
	CHECKED DATE:	19/05/2023	
	SHEET SIZE:	A4	


CONFIDENTAL NOT TO BE SHARED



DETAIL E



DETAIL F

	MATERIAL:	Aluminium	eAge, Greenlux & Valoya DESCRIPTION: Bench frame side profiles detail views
	FINISH:	All edges and corners rounded, deburred and chamfered	
D-28, SEC-80, PHASE-II, NOIDA, U.P 201301	WEIGHT:	Estimated 117 Kg	DWG NO: ARB03_BENCH FRAME V3
	DRAWN BY:	Chantal Amaral	
DEBURR AND BREAK SHARP EDGES	DRAWN DATE:	16/05/2022	REV: C
UNLESS OTHERWISE SPECIFIED DIMENSIONS ARE IN MILLIMETERS	CHECKED BY:	Temi Odanye	
DO NOT SCALE DRAWING	CHECKED DATE:	19/05/2023	SHEET SCALE: 1:4 Confidential in Confidence
	SHEET SIZE:	A4	

PROFILE 4MM THICKNESS ALL AROUND.