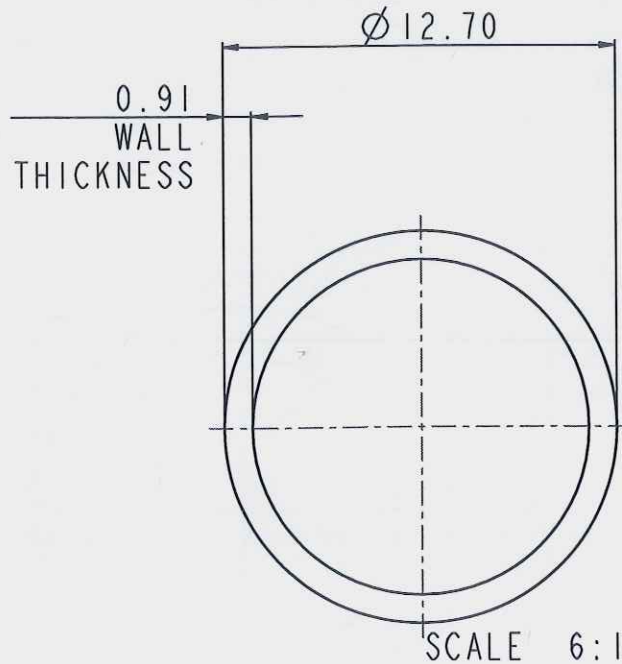


A3 PRO ENGINEER CAD DRAWING DO NOT MODIFY REMOVE ALL SHARP CORNERS/EDGES DO NOT SCALE DRAWING

VISUAL AID NO.
UNCONTROLLED COPY
NOT FOR PRODUCTION
UNLESS OVERSTAMPED
"CONTROLLED"
IN RED INK

PART No
29/50799

ALTERATIONS	ISS
NEW DRAWING DM07-082 R.W 28-06-07	A



NOTES.

1. MATERIAL - ALUMINIUM ALLOY 6063 T6 EN755-9
10 TO 14 WEBSTER HARDNESS

Q02372



SCALE 1:1
CSA = 33.71mm²
WEIGHT = 0.09135 KG/M

DESIGNER R.W 28-Jun-07

TOLERANCES UNLESS OTHERWISE STATED
X ±
X.X ±
X.XX ±
HOLE CRS ±
ANGULAR ± 0.5°

MATERIAL
SEE NOTE 1

FINISH
SELF COLOUR

REMARKS
NO VISIBLE SURFACES

Widney

TITLE
GUIDE TUBE
SECTION

PART No
29/50799



THIRD ANGLE
PROJECTION

DIMENSIONS ARE IN
MILLIMETRES UNLESS
OTHERWISE STATED

METRIC SCREW THREADS SHALL CONFORM TO THE
LIMITS AND TOLERANCES SPECIFIED IN THE CURRENT
BS3643 PT2 CLASS 6g EXTERNAL OR 6h INTERNAL

A3
SCALE 6/1

© WIDNEY plc THIS DOCUMENT IS CONFIDENTIAL AND THE DOCUMENT AND THE COPYRIGHT THEREIN
ARE THE PROPERTY OF WIDNEY plc. THE DOCUMENT AND ANY INFORMATION THEREIN MAY NOT BE USED
COPIED OR DISCLOSED TO ANY THIRD PARTY WITHOUT THE PRIOR WRITTEN AUTHORISATION OF WIDNEY plc