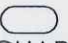


REMOVE ALL SHARP CORNERS/EDGES CAD DRAWING DO NOT MODIFY DO NOT SCALE DRAWING

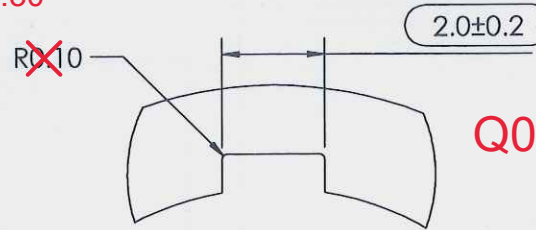
UNCONTROLLED COPY  
NOT FOR PRODUCTION  
UNLESS OVERSTAMPED  
"CONTROLLED"  
IN RED INK

BY	DATE	ALTERATIONS	ISSUE
RW	21/10/2011	RE-DRAWN ON SOLIDWORKS. 0.3/0.5 x 90 GROOVE ADDED. DM11-029	C
RW	31/03/2009	NOTE 1 ADDED. DM09-022	B
IS	06/03/2003	PRODUCTION RELEASE. PR03-034	A
IS	11/02/2002	SAMPLE RELEASE	1

NOTES

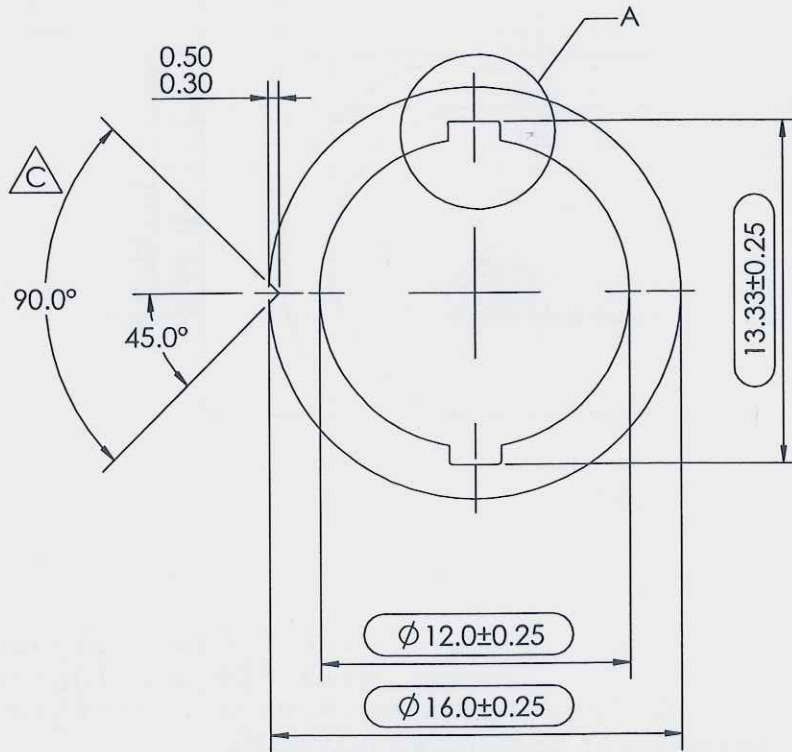
- DIMENSIONS MARKED THIS   ARE SIGNIFICANT/CRITICAL CHARACTERISTICS
- AREA 85.04mm<sup>2</sup> WEIGHT 0.2277 KG.M

R 0.30



DETAIL A  
SCALE 10 : 1

Q02373 PROPOSAL DRAWING



SCALE 5:1

Q02373



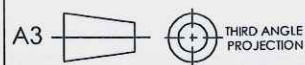
SCALE 1:1

DESIGNER	CVA 09/08/2021
TOLERANCES UNLESS OTHERWISE SPECIFIED	
X	±
X.X	±
X.XX	±
HOLE CRS	±
ANGULAR	± 0.5°
EN755-9	
MATERIAL	EXTRUDED ALUMINIUM 6063T6
FINISH	SELF COLOUR
WEIGHT	0.85
CE No.	

Widney

TITLE  
ROLLER TUBE SECTION

PREVIOUSLY DP001006/85



THIRD ANGLE  
PROJECTION

DIMENSIONS ARE IN MILLIMETRES  
UNLESS OTHERWISE STATED

METRIC SCREW THREADS SHALL CONFORM TO THE  
LIMITS AND TOLERANCES SPECIFIED IN THE CURRENT  
BS3643 P12 CLASS 6g EXTERNAL OR 6H INTERNAL

© WIDNEY MANUFACTURING LTD THIS DOCUMENT IS CONFIDENTIAL AND THE DOCUMENT AND THE COPYRIGHT THEREIN ARE  
THE PROPERTY OF WIDNEY MANUFACTURING LTD. THE DOCUMENT AND ANY INFORMATION THEREIN MAY NOT BE USED  
COPIED OR DISCLOSED TO ANY THIRD PARTY WITHOUT THE PRIOR WRITTEN AUTHORISATION OF WIDNEY MANUFACTURING  
LTD

PART No  
29/55971

SHT  
1 OF 1  
ISSUE  
C