


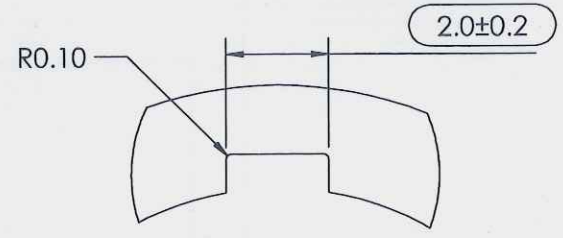
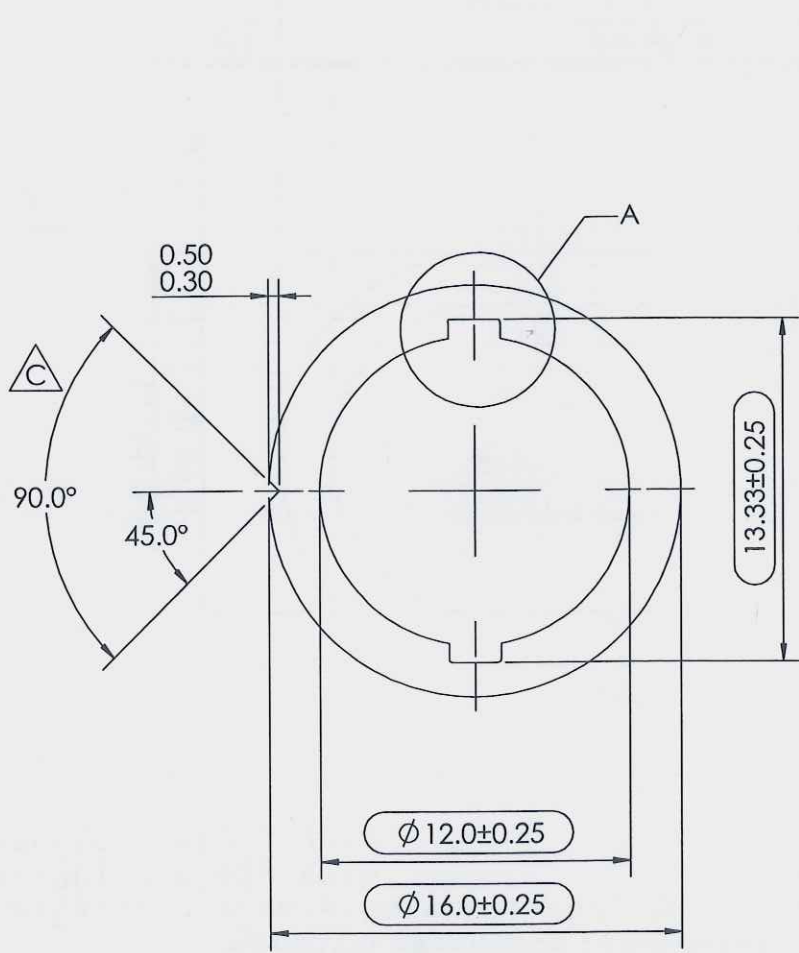
REMOVE ALL SHARP CORNERS/EDGES CAD DRAWING DO NOT MODIFY DO NOT SCALE DRAWING

UNCONTROLLED COPY
NOT FOR PRODUCTION
UNLESS OVERSTAMPED
"CONTROLLED"
IN RED INK

BY	DATE	ALTERATIONS	ISSUE
RW	21/10/2011	RE-DRAWN ON SOLIDWORKS. 0.3/0.5 x 90 GROOVE ADDED. DM11-029	C
RW	31/03/2009	NOTE 1 ADDED. DM09-022	B
IS	06/03/2003	PRODUCTION RELEASE. PR03-034	A
IS	11/02/2002	SAMPLE RELEASE	1

NOTES

- DIMENSIONS MARKED THIS  ARE SIGNIFICANT/CRITICAL CHARACTERISTICS
- AREA 85.04mm² WEIGHT 0.2277 KG.M



DETAIL A
SCALE 10 : 1

Q023TB



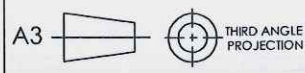
SCALE 1:1

SCALE 5:1

PREVIOUSLY DP001006/85

DESIGNER	CVA 09/08/2021
TOLERANCES UNLESS OTHERWISE SPECIFIED	
X	±
X.X	±
X.XX	±
HOLE CRS	±
ANGULAR	± 0.5°
EN755-9	
MATERIAL	EXTRUDED ALUMINIUM 6063T6
FINISH	SELF COLOUR
WEIGHT	0.85
CE No.	
Widney	

TITLE	ROLLER TUBE SECTION
-------	---------------------



THIRD ANGLE PROJECTION
DIMENSIONS ARE IN MILLIMETRES UNLESS OTHERWISE STATED

METRIC SCREW THREADS SHALL CONFORM TO THE LIMITS AND TOLERANCES SPECIFIED IN THE CURRENT BS3643 P12 CLASS 6g EXTERNAL OR 6H INTERNAL

© WIDNEY MANUFACTURING LTD THIS DOCUMENT IS CONFIDENTIAL AND THE DOCUMENT AND THE COPYRIGHT THEREIN ARE THE PROPERTY OF WIDNEY MANUFACTURING LTD. THE DOCUMENT AND ANY INFORMATION THEREIN MAY NOT BE USED COPIED OR DISCLOSED TO ANY THIRD PARTY WITHOUT THE PRIOR WRITTEN AUTHORISATION OF WIDNEY MANUFACTURING LTD

PART No	29/55971	SHT	1 OF 1
		ISSUE	C