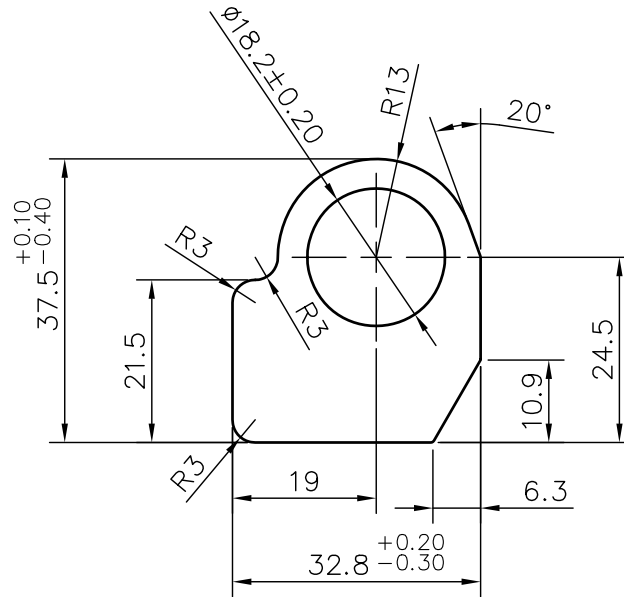


Q01232  
PROPOSAL DRAWING



SCALE 1:1

Area: 755.885 Sq.mm. | Perimeter: 120.294 mm. | Weight: 2.041 Kg./mtr.