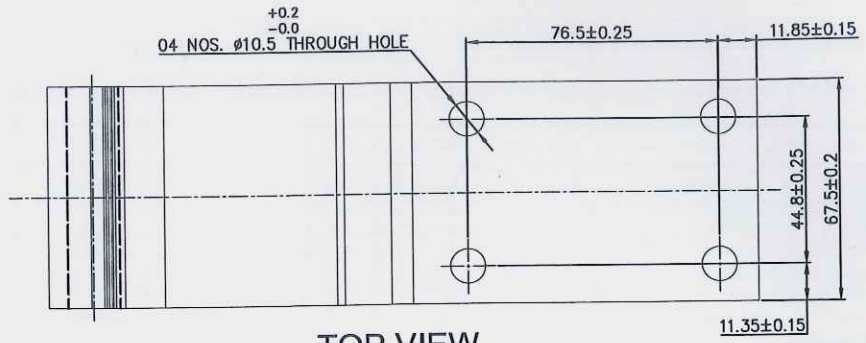
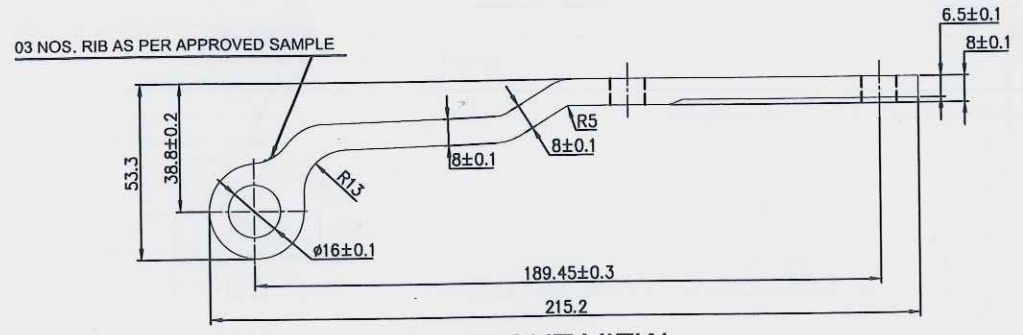


UNLESS OTHERWISE SPECIFIED TOLERANCES ON DIMENSION ARE ± 0.25 & ANGULAR ± 1



TOP VIEW



FRONT VIEW

Q02376

NOTE: -

1. ALL DIMENSIONS ARE POINTS OF INTERSECTION.
2. REMOVE ALL BURRS AND SHARP EDGES.
3. PROFILE AS PER APPROVED SAMPLE.

1	NAME	---
2	DATE	---
3	MODIFICATIONS	
4		
5		
6		
7	REV. No.	01.
	ECN. No.	---

8	DRN.BY: - Ramesh	UNI EXPO INDIA	MATERIAL or GRADE	ALUMINIUM 6063, T6	04.					
	CHD.BY: -	PLOT NO.-82, IMT MANSER, GURGAON, HARYANA (INDIA)	HARDNESS	---	03.					
	APD.BY: -		CAL.WEIGHT	Grm.	02.					
	DATE :- 10.09.24	REF.No.:-	TITLE:- ALUMINIUM CASTING BRACKET (SMALL)		01.					
9	UNIT:-mm		PART NO.:-		S.No.	PART NAME	PART No.	MATL./GRADE	Qty.	WT.
	SCALE:-N.T.S.			FILE:-E:\CAD\	BILL OF MATERIAL					

This drawing is the SOLE-PROPERTY of UNI EXPO INDIA, It should not be copied by any-one without written permission of UNI EXPO INDIA