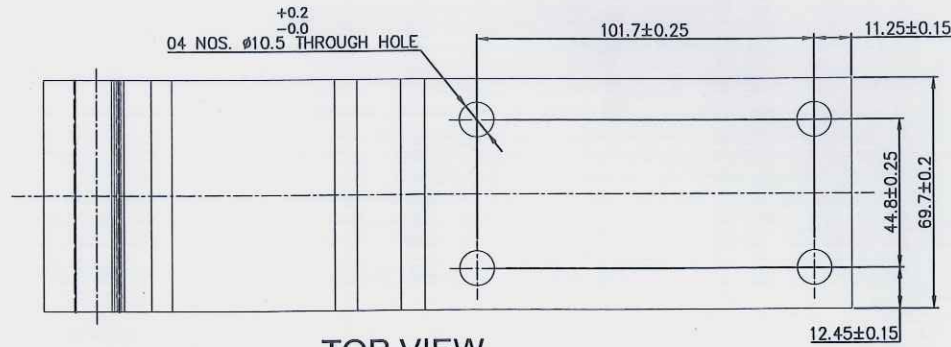
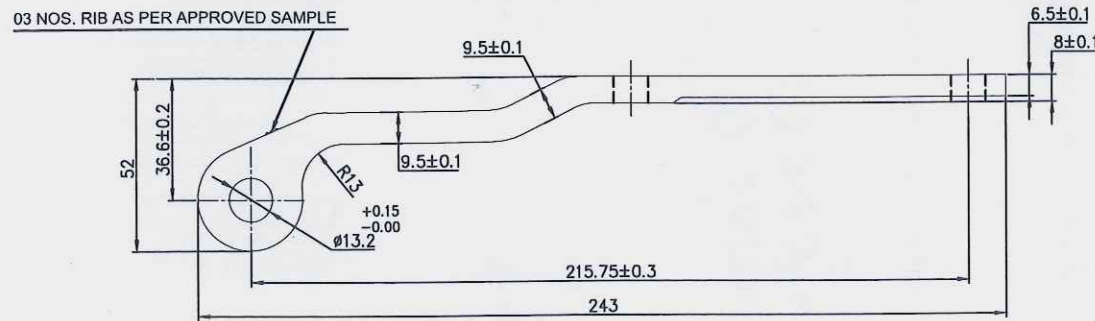


UNLESS OTHERWISE SPECIFIED TOLERANCES ON DIMENSIONS ARE ± 0.25 & ANGULAR ± 1



TOP VIEW



FRONT VIEW

302377

NOTE:-

1. ALL DIMENSIONS ARE POINTS OF INTERSECTION.
2. REMOVE ALL BURRS AND SHARP EDGES.
3. PROFILE AS PER APPROVED SAMPLE.

DRN.BY: - Ramesh	UNI EXPO INDIA	MATERIAL OR GRADE	ALUMINIUM 6063, T6	04.					
CHD.BY: -	PLOT NO.-82, IMT MANSER, GURGAON, HARYANA (INDIA)	HARDNESS	---	03.					
APD.BY: -		CAL.WEIGHT	Grm.	02.					
DATE :- 10.09.24	REF.No.:-	TITLE:- ALUMINIUM CASTING BRACKET (BIG)		01.					
UNIT:-mm		PART NO.:-	FILE:- E:\CAD\	S.No.	PART NAME	PART No.	MATL./GRADE	Qty.	WT.
SCALE:-N.T.S.				BILL OF MATERIAL					

This drawing is the SOLE-PROPERTY of UNI EXPO INDIA, It should not be copied by any-one without written permission of UNI EXPO INDIA