

6

5

4

3

2

1

D

D

C

C

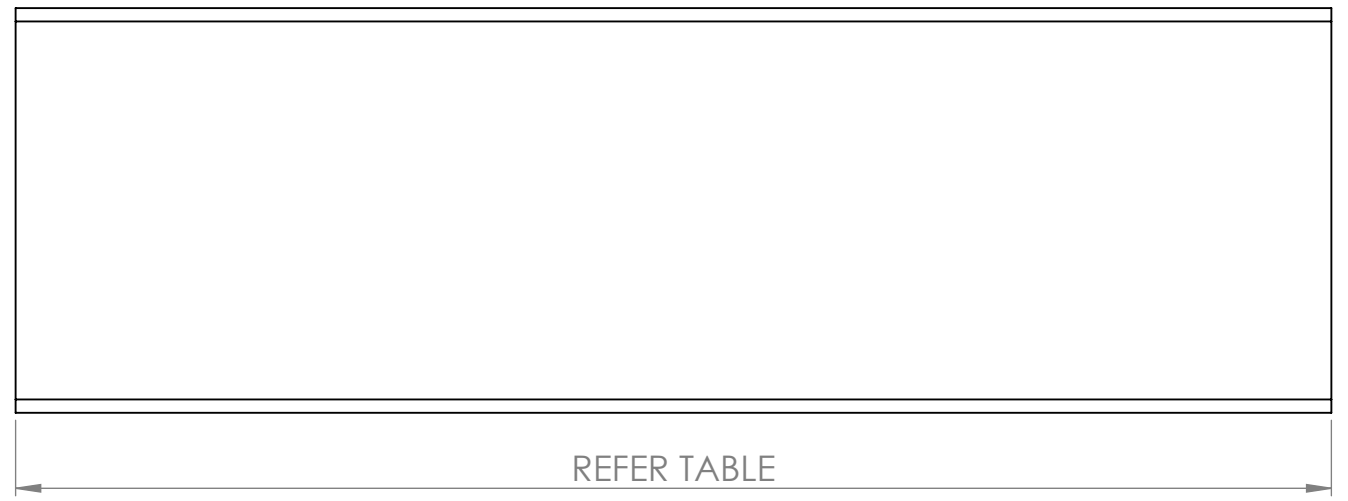
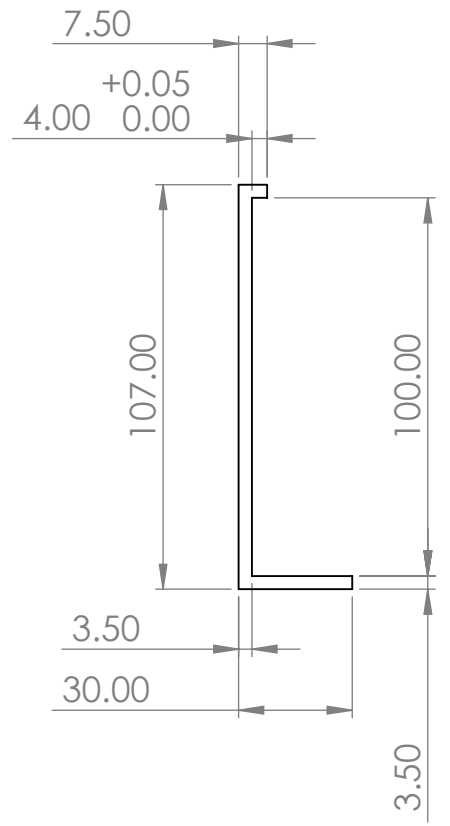
B

B

A

A

CELL CARRY SIDE PLATE (L148N50B)



S.NO	MODEL	LENGHT	NO. OF CELLS / PACK	NO. OF PACK	QTY
1	150AH	429mm	15	2	4
2	150AH	348mm	12	1	2
3	200AH	348mm	12	2	4
4	200AH	456mm	16	2	4
5	72V-350AH	402	14	10	20

NOTE: NO SHARP CORNERS
UNSPECIFIED CHAMFER 1X45
UNSPECIFIED RADIUS R1

DO NOT SCALE DRAWING

DWG NO. CELL CARRY SIDE PLATE (L148N50B)	DRAWN	NAME	DATE	MATERIAL: ALU- 6061	SCALE	PROJECT:	
	CHECKED		18/01/2022	ZINISH :	REVISION	AWEV Solutions Pvt. Ltd.	A4
	APPROVED			QTY:	WEIGHT:		

DESCRIPTION:

6

5

4

3

2

1