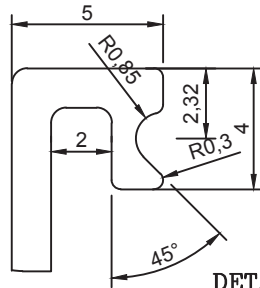
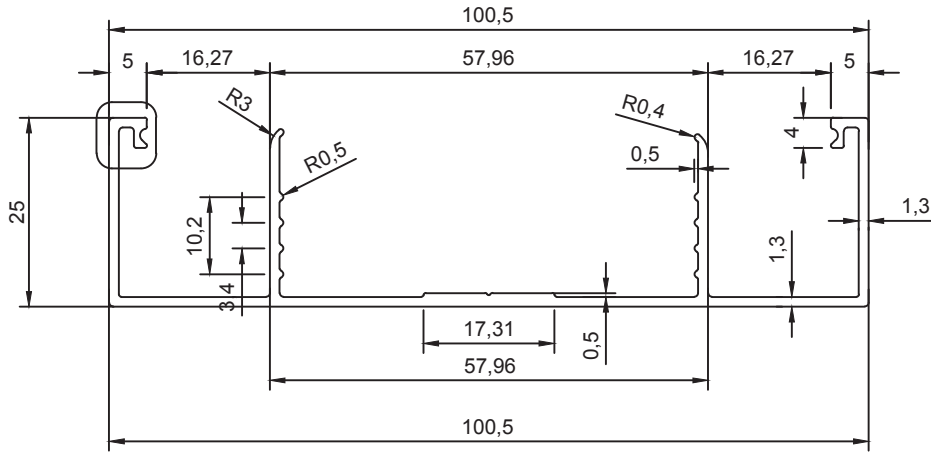


SCALE: 1:1



DETAIL: A
SCALE: 4:1

NOTE:- ALL DIMENSIONS ARE IN mm.

CODE : SEW/STA/S1/876
REV : 00 / Dt : 18.07

UNSPECIFIED RADIUS:-0.40

WITH DIN ISO 2768-1 class C = Coarse		400-1000	120-400	30-120	6 - 30	3 - 6	0.5 - 3
		±2.0	±1.2	±0.8	±0.5	±0.3	±0.2
Dimensional	Longitudinal	30-120	6 - 30	3 - 6	0.5 - 3	0.5 - 3	at 10
		±2.0	±0.8	±0.5	±0.3	±0.2	±0.4
chamfer & radius	Degrees & Minutes	120-400	6 - 30	3 - 6	0.5 - 3	0.5 - 3	at 10
		±2.0	±0.8	±0.5	±0.3	±0.2	±0.4
		over 400	±0°10'	±0°15'	±0°30'	±1°	±1°30'

AREA: 275.969 Sqmm [^]	ALLOY/TEMPER:-	DRAWN BY: VENKY
PERIMETER: 412.745	FLATNESS:-±0.8mm [^]	DATE: 18/07/2022
WEIGHT: 2.727 Kg/12'.	TOLERANCES:	REVISION:-
DESCRIPTION :	ANGULARITY:	CHECKED BY:-
PARTY DRG NO:	straightness:	APPROVED BY:-
SECTION NO:	TWIST:-1.70mm/meter	SCALE:- 1:1