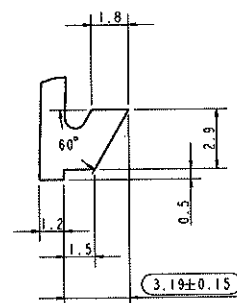
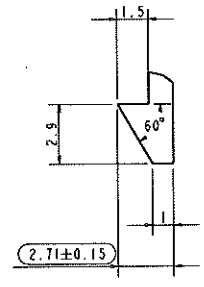


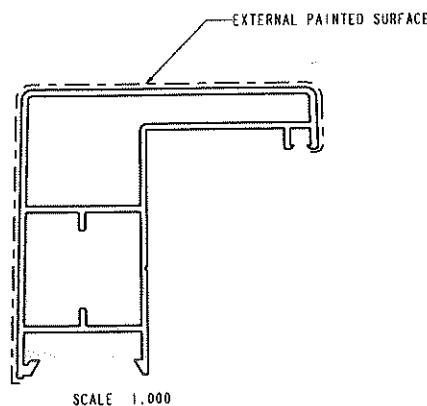
DETAIL A
SCALE 4.000



DETAIL C
SCALE 4.000



DETAIL B
SCALE 4.000



SCALE 1.000

Q023988

NOTE:
a) COLOR IS "TITANIUM GREY" UNLESS IS ELSE IS SPECIFIED BY PCO
b) ALL NON MENTIONED RADIUS ARE 0.5mm
ALL DIMENSIONS ARE IN MM UNLESS OTHERWISE SPECIFIED.

FRIGOLASS cool division		INCOMING MATERIAL DRAWING	
DATE	SIGN	MATERIAL	Al Mg Si 05
DESIGN	06-05-14 EK	NAME	DOOR AL PROFILE R
ENG	06-05-14 EK	DWG. NUMBER	D5E0801-00-01
APPROVAL		SPECIAL INFORMATION	C/S AREA : 314.9mm ²
VER NO	CHANGE NOTE	DATE	MOD. BY SM
2.2	1.3 DIMENSIONS MODIFIED 2.1 TOLERANCES CHANGED	09.03.15	EK
DWG STATUS	Commercialization	TOLERANCE	EN 12020-2
		SCALE	NTS
		DESIGNS AND ANY INFORMATION DEPICTED IN THIS DRAWING ARE PROPRIETARY AND NOT TO BE USED OR REPRODUCED WITHOUT THE WRITTEN PERMISSION OF FRIGOLASS S.A.I.C.	