

M/s. SAINT -GOBAIN

PROPOSED DRAWING

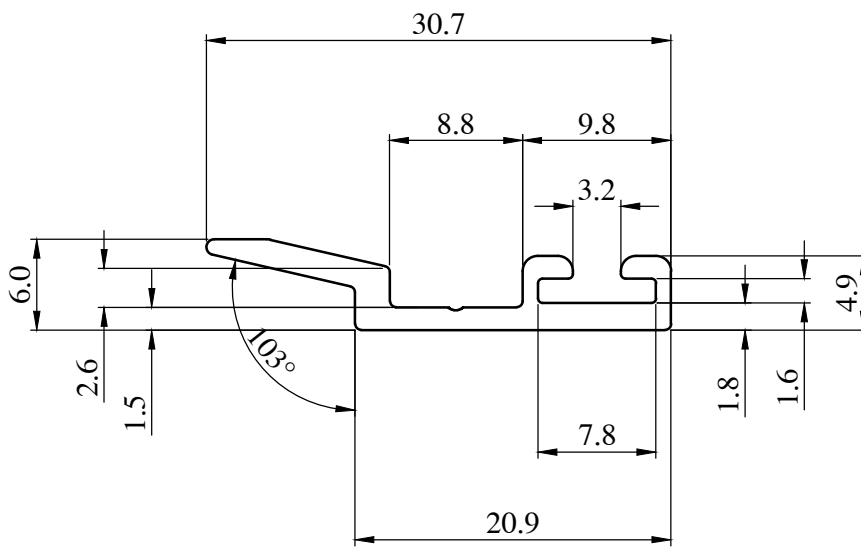
Q01255

ALLOY 6063 T6

WT.-0.189KG/M.



SCALE - 1 : 1



SCALE - 2 : 1