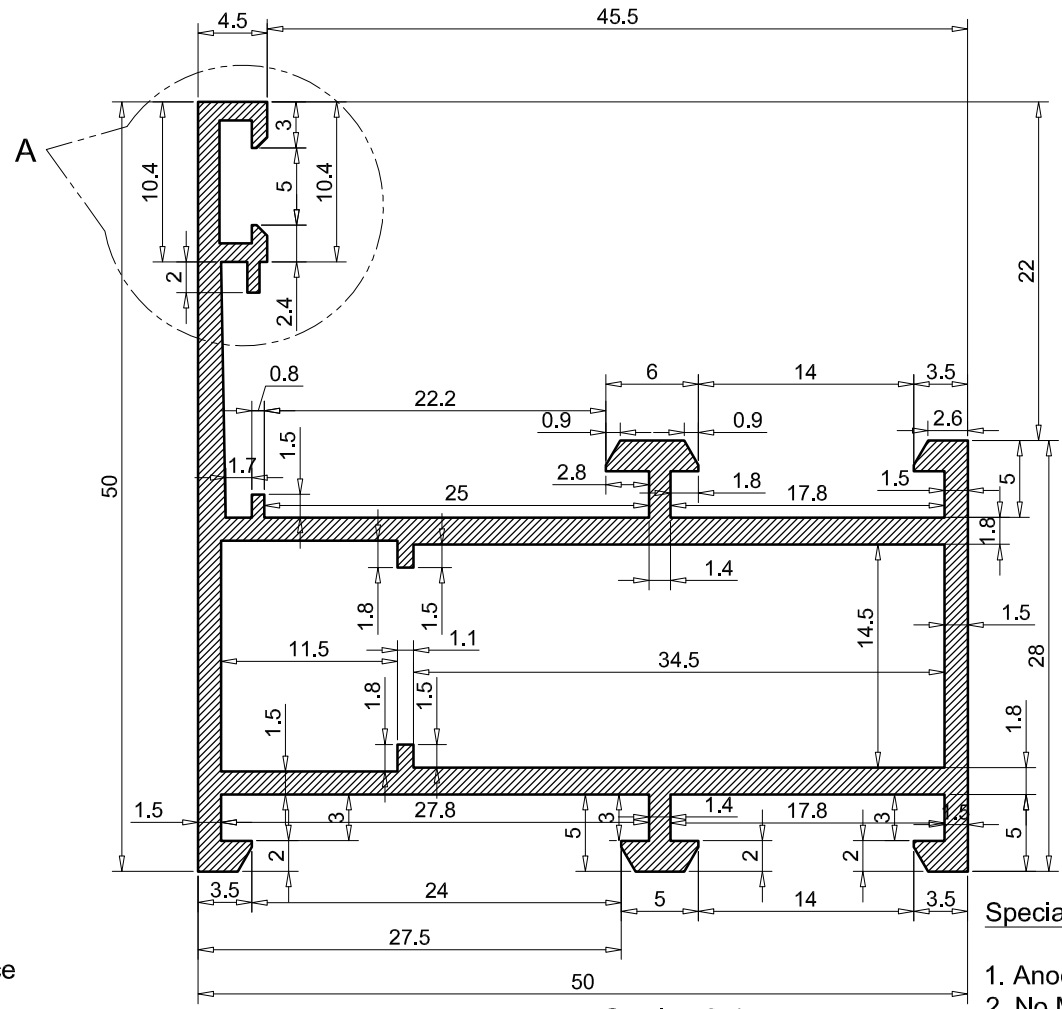


Detail A  
Scale- 5:1



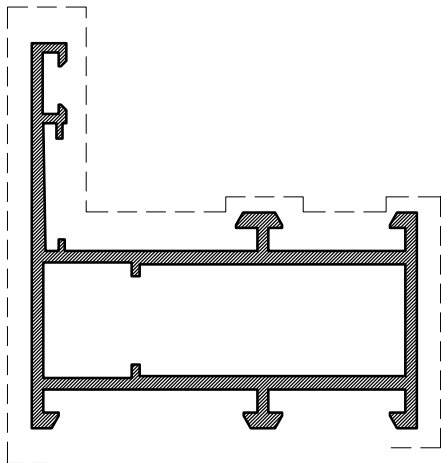
Scale- 2:1

Special Feature:-

1. Anodizable.
2. No Machining
3. To Bend- No
4. Alloy & Temper -T6063

Cut Length :- To be decided

W=0.895 Kg/Mtr



Scale- 1:1

Exposed Surface

Material.-	AL	Qty-	Extrusion Aluminium Outer P50			
Customer			Project			
			Print: Draft	Drg No: M37755		
			Drawn By: AKS	Date: 12-01-2024	Version: RevB2	Scale: 1:1
			Format: A3	Sheet: 1/1		
File: \\ax2\AX\Alusystems\ALUSYSTEM DEVELOPEMENTS\P50\VP50-Extrusion_Revb2.dwg						



**GSC Glass Ltd**  
5 & 7, Udyog Vihar, Greater Noida 201306 (UP)  
INDIA Ph +91 120 2569922  
Fax: +91 120 2560877