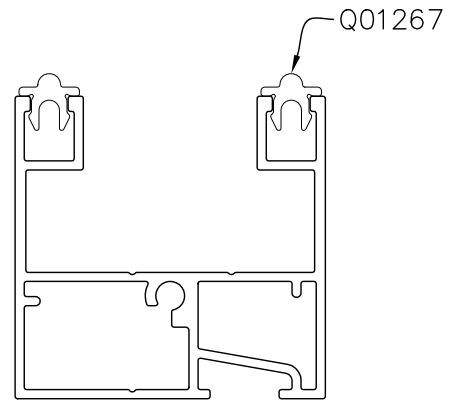
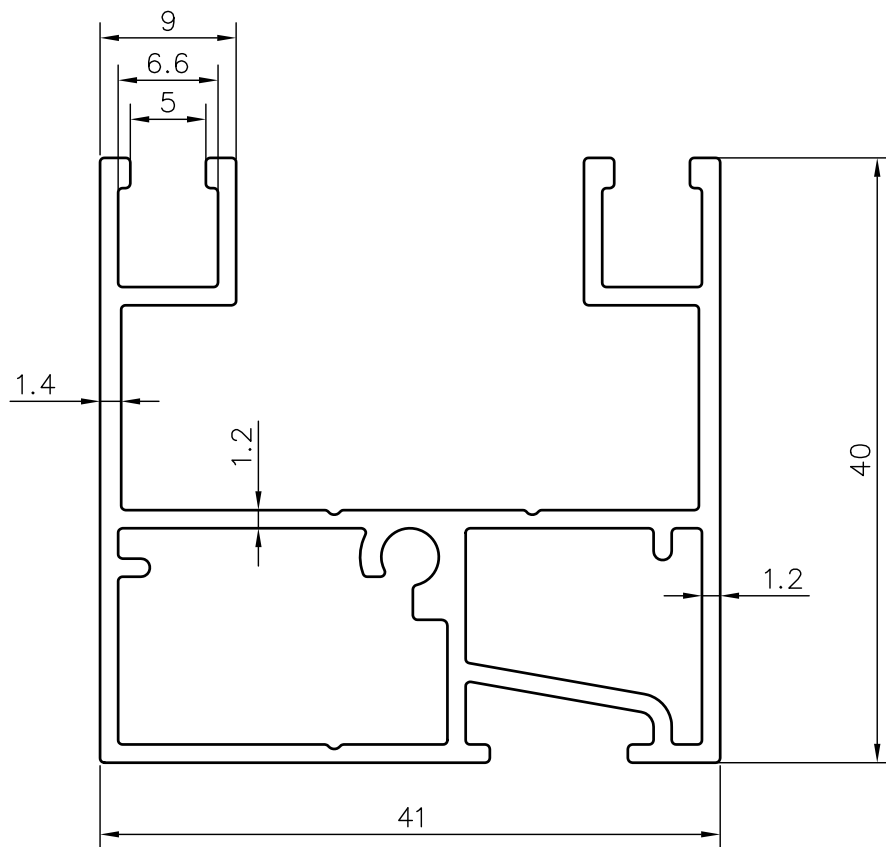


Q01280
PROPOSAL DRAWING



SCALE 1:1



SCALE 2:1

Area: 282.333 Sq.mm. | Perimeter: 290.494 mm. | Weight: 0.762 Kg./mtr.