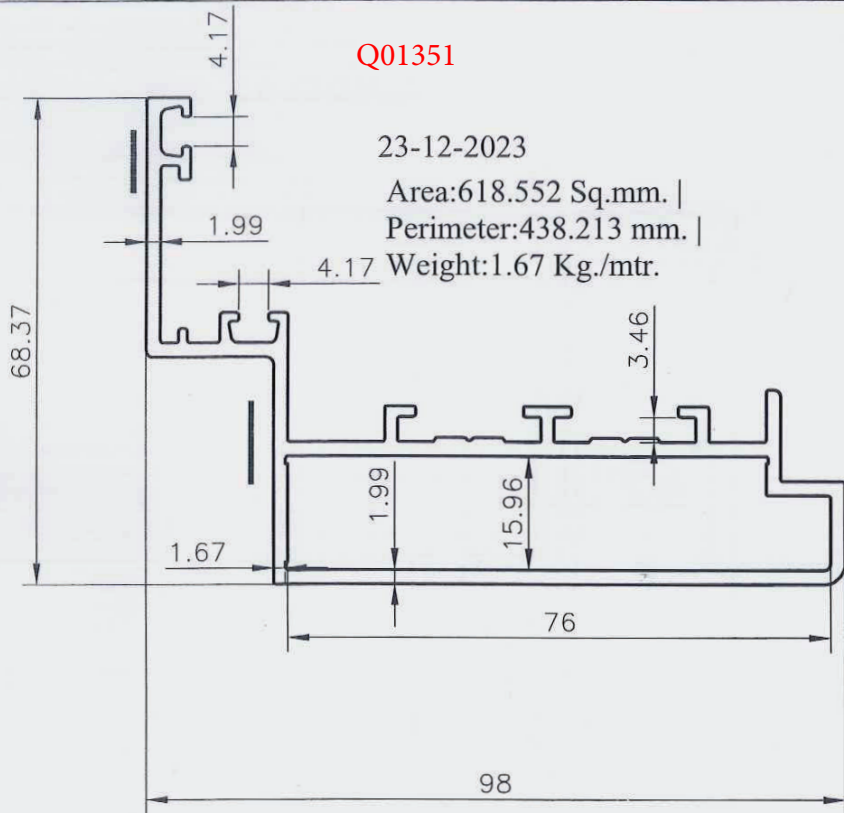
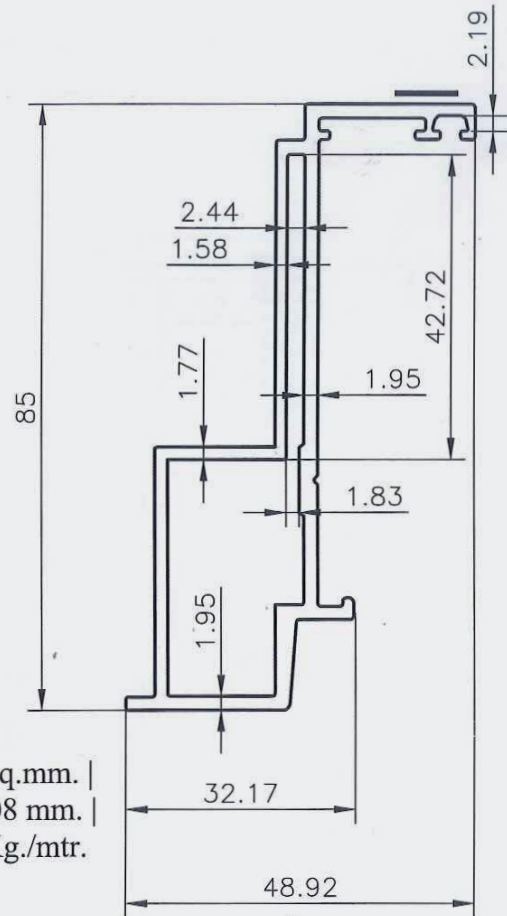


→ MSJ. VR (mktg)

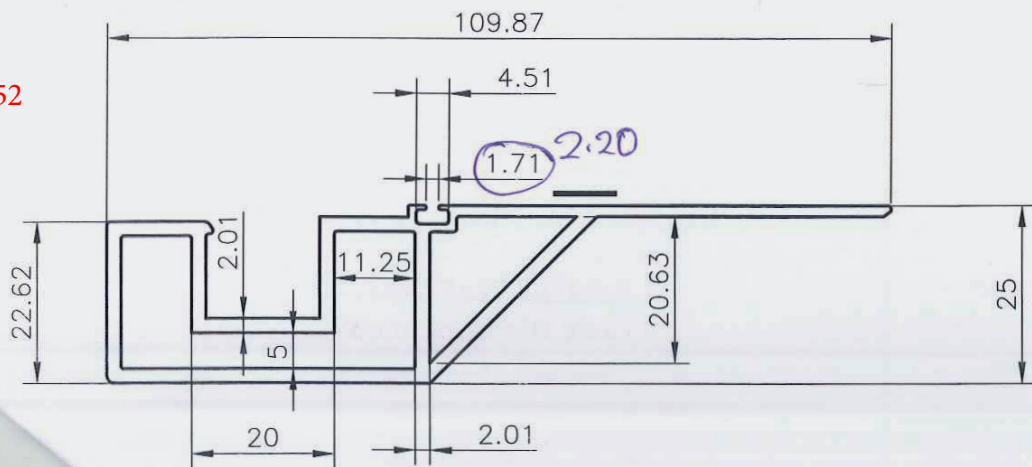
Q01351



T. Joints
 Impression mark may appear due to thickness variation, however we will try to minimize



Q01352



Can be given as per proposal drawing as it is not feasible to extrude.