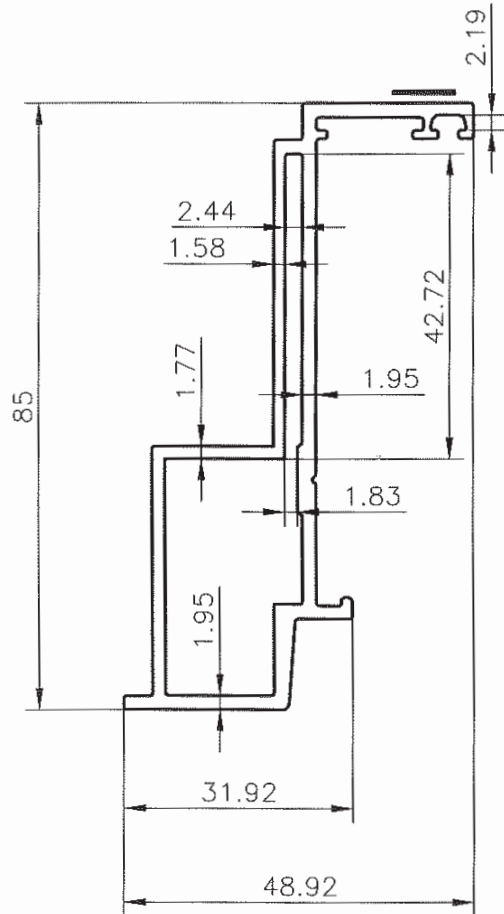


CUSTOMER DRAWING



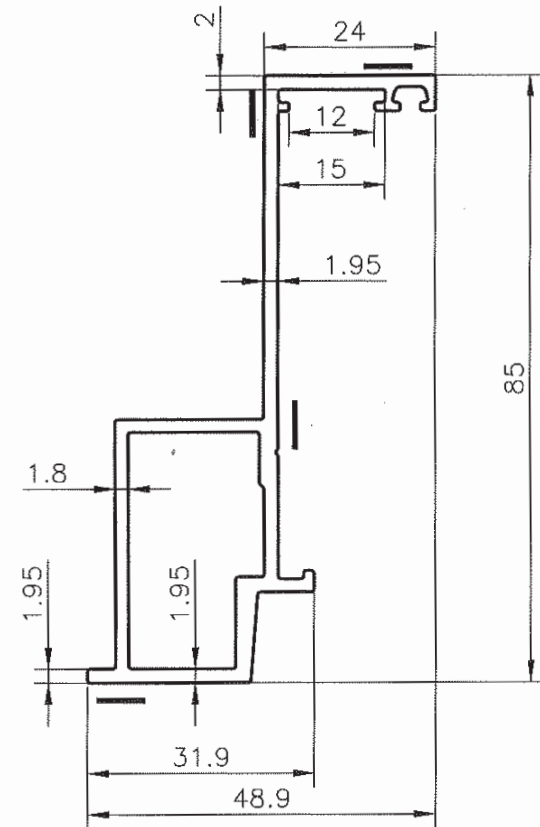
23-12-2023

Area:457.617 Sq.mm. |  
Perimeter:296.08 mm. |  
Weight:1.236 Kg./mtr.



JINDAL ALUMINIUM LTD.  
BANGALORE

PROPOSAL DRAWING FOR OUTER FRAME



23-12-2023

ALLOY-6063

Area:391.559 Sq.mm. | Perimeter:296.271 mm. | Weight:1.057 Kg./mtr.

PLEASE NOTE:-

— DUE TO THICKNESS VARIATION  
IMPRESSION MARK MAY APPEAR  
IN THESE MARKED PORTION.  
HOWEVER WE WILL TRY TO MINIMIZE