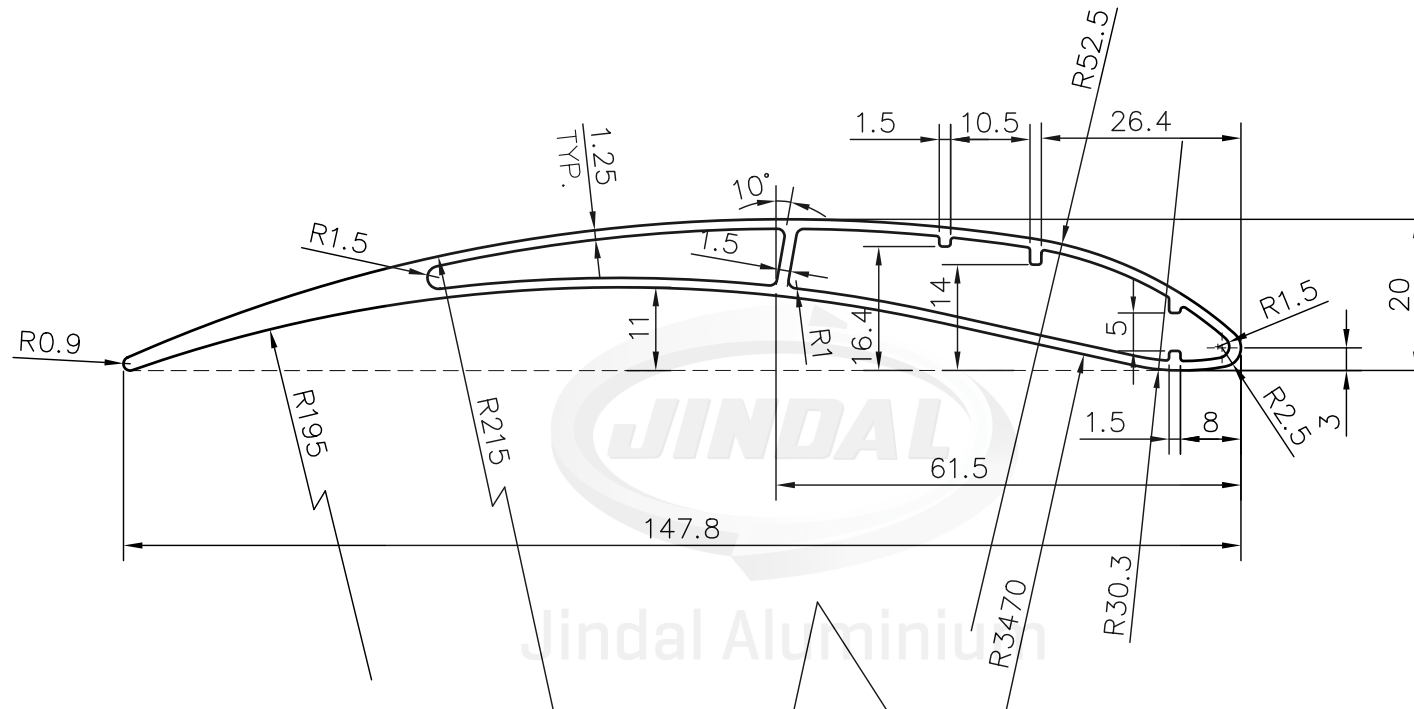


SAMPLE PROPOSAL DRAWING



👉 DRAWING DEVELOPED ON THE BASIS OF SAMPLE PROVIDED BY THE CUSTOMER'S END, ALL SAMPLES ARE UNSYMMETRICAL IN SHAPE PLEASE MATCH DRAWING WITH YOUR MATCHING COMPONENTS BEFORE APPROVAL

Area: 445.276 Sq.mm. | Perimeter: 307.489 mm. | Weight: 1.202 Kg./mtr.