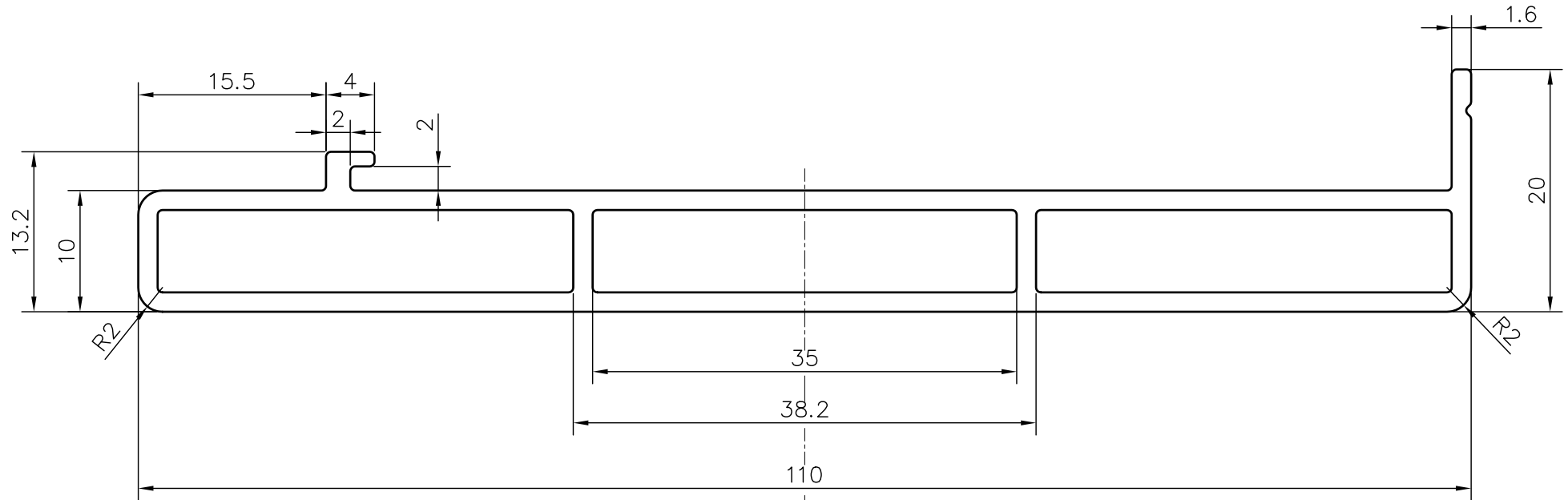


SCALE 1:1



SCALE 2:1

Area: 417.83 Sq.mm. | Perimeter: 266.542 mm. | Weight: 1.128 Kg./mtr.

 **PLEASE CHECK ALL DIMENSIONS PROPERLY  
AS SAMPLE WAS NOT IN APPROPRIATE CONDITION.**