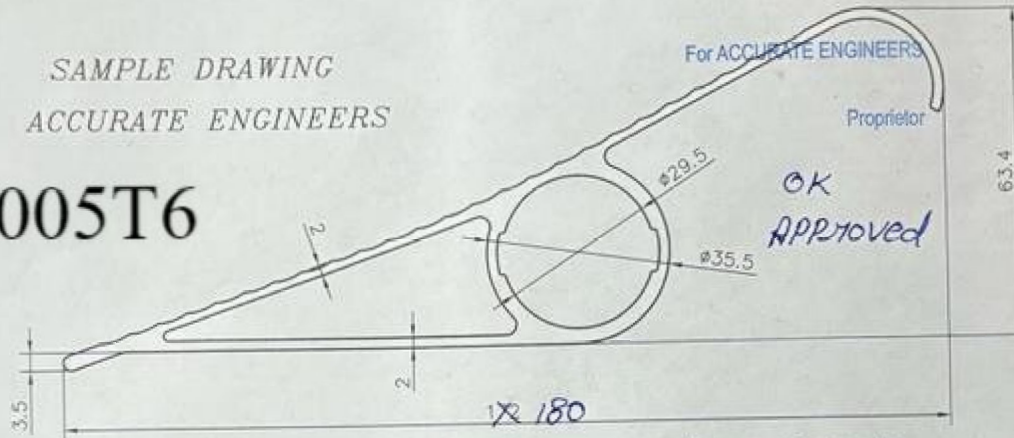


Q01372

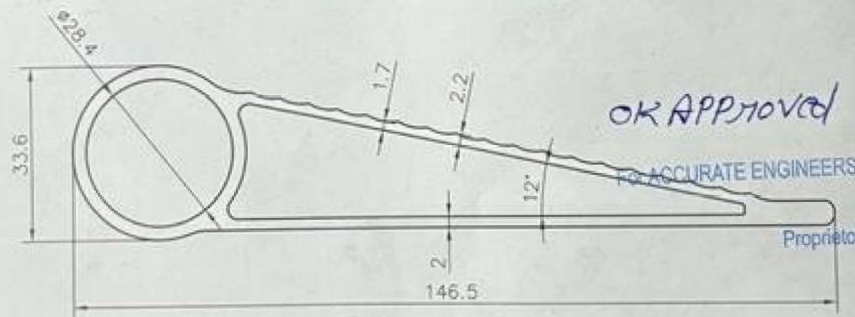
SAMPLE DRAWING
ACCURATE ENGINEERS
6005T6



Area: 818.453 Sq.mm. | Perimeter: 438.809 mm. | Weight: 2.21 Kg./mtr.

SAMPLE IS IN DAMAGE CONDITION, KINDLY, CHECK GIVEN DIMENSIONS

Q01373



Area: 740.283 Sq.mm. | Perimeter: 320.878 mm. | Weight: 1.999 Kg./mtr.

6063T6